



MONOGRAM

Home Appliances







ABOUT US

Monogram performed extensive research before putting pen to paper on our latest designs and products. After careful consideration, we developed three main pillars to support our new look and feel: Materials, Performance and efficiency... Each of these upholds our commitment to high quality, innovation and our ongoing relationships with consumers. Through these pillars also with providing our new collections, we've created a luxury brand experience which can be touched with all senses.

A collection of fresh vegetables including several round beets with their roots, a striped radish, and green beans, all resting on a dark wooden surface. The lighting is dramatic, highlighting the textures of the vegetables.

OWNERSHIP

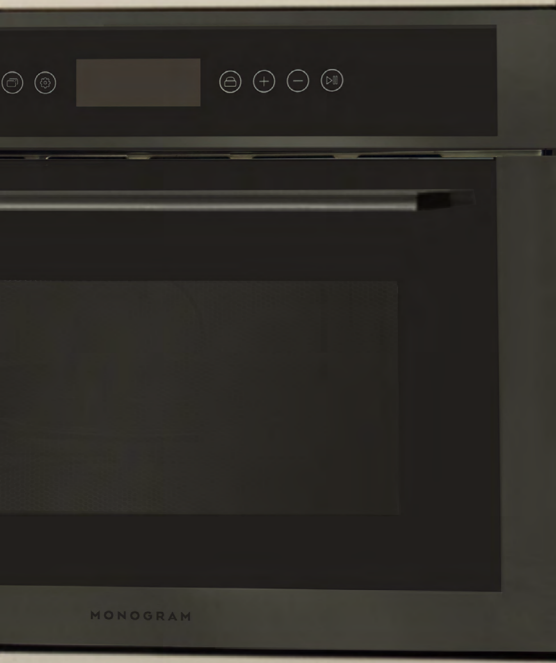
One of the most important functions that we do in Monogram companies is to make our appliance ownership to an enjoyable experience. For those times when you need service, our certified technicians will be at your front door to ensure your appliance receives first-class maintenance. In fact, every service project is overseen by a Monogram Service Agent who is dedicated to your project from start to finish to ensure that all work is completed to our standards, and yours.

So with Monograms after-sales service, you will never have to worry about anything, because we will always be there for you.

PERFORMANCE

Every Monogram appliance provides the same experience in your kitchen as it does with international chefs. Through rigorous testing, we learn the limits of our products and make them to last well beyond. Well trained employees in our central office inform consumers and sales agents through demonstrations on our actual products with educational clips and videos, also at events across the world, we let our appliances speak for themselves as celebrity chefs create real meals for our guests and visitors.







Built-in Oven

What kind of food would you like to cook, please just name it. With monogram ovens, you can cook any type of food according to your taste. Due to the types of advanced technologies used in different models of Monogram ovens, we guarantee that the taste of food and its quality will never change.



MGBO-7213X/BGE



Measurements (in mm)

Product Dimensions (HxWxD)
595 x 594 x 548 mm
Depth with Door Open (D)
1040 mm
Installation Dimensions (HxWxD)
585 - 595 x 560 - 568 x 550 mm

Technical Information

Cavity: 77 L
Total Connected Load: 3.6W
Voltage: 220 – 240V
Power Frequency: 50/60Hz/16A

Performance

- 11 Heating Methods
- Conventional Heat
 - Hot Air Grilling
 - Full Width Grill
 - Half Width Grill
 - Pizza Setting
 - Bottom Heat
 - Low Temperature Cooking
 - Defrost
 - Keep Warm
 - Preheating
 - Hot Air Gentle

Features

Touch Control
LED Display
Electronic Clock
Temperature Proposal
Perfect Roast Plus
Automatic Rapid Heating Up
Supporting Systems: Dish Assist
Max. Window Temperature: 30°C
Glass Door Panel: 2 Layers
Removable Glass Door

Cleaning Functions

Eco Clean Direct
Cleaning Aid
Drying

Included Accessories

- 1 x Multipoint Meat Probe
- 1 x Combination Grids
- 1 x Universal Pan
- 1 x Enamel Baking Tray



MGBO-750314X/BGE



Measurements (in mm)

Product Dimensions (HxWxD)
595 x 594 x 548 mm
Depth with Door Open (D)
1040 mm
Installation Dimensions (HxWxD)
585 - 595 x 560 - 568 x 550 mm

Technical Information

Cavity: 77 L
Total Connected Load: 3.6W
Voltage: 220 – 240V
Power Frequency: 50/60Hz/16A

Performance

- 11 Heating Methods
- Conventional Heat
 - Hot Air Grilling
 - Full Width Grill
 - Half Width Grill
 - Pizza Setting
 - Bottom Heat
 - Low Temperature Cooking
 - Defrost
 - Keep Warm
 - Preheating
 - Hot Air Gentle
 - Conventional Heat Gentle
 - Rotisserie
 - Active Heat

Features

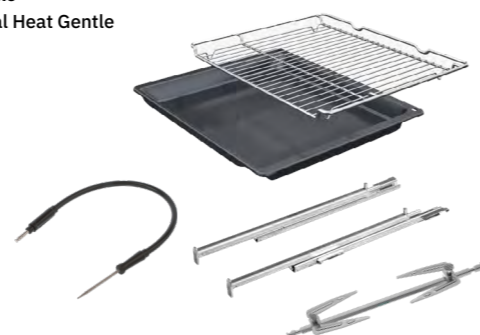
Touch Control
Control Ring
LED Display
Electronic Clock
Temperature Proposal
Perfect Roast Plus
Automatic Rapid Heating Up
Supporting Systems: Dish Assist
Soft Move Door
Max. Window Temperature: 30°C
Glass Door Panel: 3 Layers
Removable Glass Door

Cleaning Functions

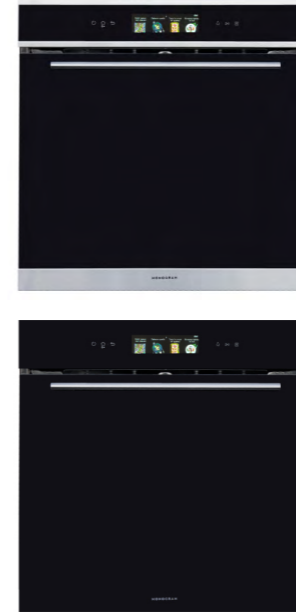
Eco Clean Direct
Cleaning Aid
Drying

Included Accessories

- 1 x Multipoint Meat Probe
- 1 x Combination Grids
- 1 x Universal Pan
- 2 x Slide rail
- 1 x rotisserie



MGBO-7511X/BGE



Measurements (in mm)

Product Dimensions (HxWxD)
595 x 594 x 548 mm
Depth with Door Open (D)
1040 mm
Installation Dimensions (HxWxD)
585 - 595 x 560 - 568 x 550 mm

Technical Information

Cavity: 77 L
Total Connected Load: 3.6W
Voltage: 220 – 240V
Power Frequency: 50/60Hz/16A

Performance

- 30 Auto Recipe
16 Heating Methods
- Conventional Heat
 - Hot Air Grilling
 - Full Width Grill
 - Half Width Grill
 - Pizza Setting
 - Bottom Heat
 - Low Temperature Cooking
 - Defrost
 - Preheating
 - Keep Warm
 - Plate Warm
 - Hot Air Gentle
 - Conventional Heat Gentle
 - Drying
 - Proving
 - Eco

Features

Touch Control
TFT – Touch Display
Electronic Clock
Temperature Proposal
Automatic Rapid Heating Up
Supporting Systems: Dish Assist
Max. Window Temperature: 40°C
Glass Door Panel: 2 Layers
Removable Glass Door

Cleaning Functions

Eco Clean Direct
Cleaning Aid
Drying

Included Accessories

- 1 x Combination Grids
- 1 x Enamel Baking Tray
- 1 x Universal Pan



MGBO-7555BGE



Measurements (in mm)

Product Dimensions (HxWxD)
595 x 594 x 548 mm
Depth with Door Open (D)
1040 mm
Installation Dimensions (HxWxD)
585 - 595 x 560 - 568 x 550 mm

Technical Information

Cavity: 77 L
Total Connected Load: 3.6W
Voltage: 220 – 240V
Power Frequency: 50/60Hz/16A

Performance

- 11 Heating Methods
- Conventional Heat
 - Hot Air Grilling
 - Full Width Grill
 - Half Width Grill
 - Pizza Setting
 - Bottom Heat
 - Low Temperature Cooking
 - Defrost
 - Preheating
 - Keep Warm
 - Hot Air Gentle

Features

Touch Control
Control Ring
LED Display
Electronic Clock
Temperature Proposal
Perfect Roast Plus
Automatic Rapid Heating Up
Supporting Systems: Dish Assist
Max. Window Temperature: 30°C
Glass Door Panel: 3 Layers
Removable Glass Door

Cleaning Functions

Eco Clean Direct
Cleaning Aid
Drying

Included Accessories

- 1 x Combination Grids
- 1 x Universal Pan
- 1 x Enamel Baking Tray





MGBO-7369XSGE



Measurements (in mm)

Product Dimensions (HxWxD)
595 x 594 x 548 mm
Depth with Door Open (D)
1040 mm
Installation Dimensions (HxWxD)
585 - 595 x 560 - 568 x 550 mm

Technical Information

Cavity: 77 L
Total Connected Load: 3.6W
Voltage: 220 – 240V
Power Frequency: 50/60Hz/16A

Performance

- 19 Cooking Programs
- 10 Steam Programs
- 14 Heating Methods
- Conventional Heat
- Hot Air Grilling
- Full Width Grill
- Half Width Grill
- Pizza Setting
- Bottom Heat
- Low Temperature Cooking
- Preheating
- Keep Warm
- Hot Air Gentle
- Conventional Heat Gentle
- Eco
- Steam
- Regeneration
- Fermentation
- Defrost
- Hot Air Grilling + Steam
- Warming + Steam
- Conventional Heat + Steam
- Eco steam

Features

Touch Control
LED Display
Electronic Clock
Temperature Proposal
Perfect BakePlus
Steam Function Plus
Perfect Steam
Added Steam Function
Steam Boost
Automatic Rapid Heating Up
Supporting Systems: Dish Assist
Water Tank Empty Indicator
Max. Window Temperature: 30°C
Glass Door Panel: 3 Layers
Removable Glass Door

Cleaning Functions

Self Clean Direct
Cleaning Aid
Drying
Descale

Included Accessories

- 1 x Perforated Steam Container, Medium
- 1 x Unperforated Steam Container, Large
- 1 x Combination Grids
- 1 x Universal Pan
- 1 x Enamel Baking Tray



MGBO-7689XGE



Measurements (in mm)

Product Dimensions (HxWxD)
595 x 594 x 548 mm
Depth with Door Open (D)
1040 mm
Installation Dimensions (HxWxD)
585 - 595 x 560 - 568 x 550 mm

Technical Information

Cavity: 77 L
Total Connected Load: 3.6W
Voltage: 220 – 240V
Power Frequency: 50/60Hz/16A

Performance

- 19 Cooking Programs
- 14 Heating Methods
- Conventional Heat
- Hot Air Grilling
- Full Width Grill
- Half Width Grill
- Pizza Setting
- Bottom Heat
- Low Temperature Cooking
- Defrost
- Keep Warm
- Preheating
- Hot Air Gentle
- Conventional Heat Gentle
- Eco
- Active Heat

Features

Touch Control
LED Display
Electronic Clock
Temperature Proposal
Perfect Roast Plus
Automatic Rapid Heating Up
Supporting Systems: Dish Assist
Max. Window Temperature: 30°C
Glass Door Panel: 3 Layers
Removable Glass Door

Cleaning Functions

Self Clean Direct
Cleaning Aid
Drying

Included Accessories

- 1 x Combination Grids
- 1 x Universal Pan
- 1 x Enamel Baking Tray
- 1 x Telescopic Rail



MGBO-7635XGE



Measurements (in mm)

Product Dimensions (HxWxD)
595 x 594 x 548 mm
Depth with Door Open (D)
1040 mm
Installation Dimensions (HxWxD)
585 - 595 x 560 - 568 x 550 mm

Technical Information

Cavity: 77 L
Total Connected Load: 3.6W
Voltage: 220 – 240V
Power Frequency: 50/60Hz/16A

Performance

- 11 Heating Methods
- Conventional Heat
- Hot Air Grilling
- Full Width Grill
- Half Width Grill
- Pizza Setting
- Bottom Heat
- Low Temperature Cooking
- Defrost
- Keep Warm
- Preheating
- Hot Air Gentle

Features

Touch Control
Control Ring
LED Display
Electronic Clock
Temperature Proposal
Soft Close Door
Perfect Roast Plus
Automatic Rapid Heating Up
Supporting Systems: Dish Assist
Max. Window Temperature: 30°C
Glass Door Panel: 3 Layers
Removable Glass Door

Cleaning Functions

Self Clean Direct
Cleaning Aid
Drying

Included Accessories

- 1 x Combination Grids
- 1 x Universal Pan
- 1 x Telescopic Rail
- 1 x Enamel Baking Tray



MGBO-7222XGE



Measurements (in mm)

Product Dimensions (HxWxD)
595 x 594 x 548 mm
Depth with Door Open (D)
1040 mm
Installation Dimensions (HxWxD)
585 - 595 x 560 - 568 x 550 mm

Technical Information

Cavity: 77 L
Total Connected Load: 3.6W
Voltage: 220 – 240V
Power Frequency: 50/60Hz/16A

Performance

- 8 Heating Methods
- Conventional Heat
- Hot Air Grilling
- Full Width Grill
- Half Width Grill
- Pizza Setting
- Bottom Heat
- Low Temperature Cooking
- Preheating

Features

Touch Control
Control Ring
LED Display
Electronic Clock
Temperature Proposal
Perfect Roast Plus
Automatic Rapid Heating Up
Supporting Systems: Dish Assist
Max. Window Temperature: 30°C
Glass Door Panel: 2 Layers

Cleaning Functions

Eco Clean Direct
Cleaning Aid
Drying

Included Accessories

- 1 x Combination Grids
- 1 x Enamel Baking Tray
- 1 x Universal Pan





MGBO-7222XGE PRO



Measurements (in mm)

Product Dimensions (HxWxD)
596 x 595 x 566 mm
Control Panel Height: 96 mm
Installation Dimensions (HxWxD)
590 x 560 x 550 mm

Technical Information

Cavity: 72 L
Electronic Cavity(Conventional):
1.06k W
Electronic Cavity(Forced Air):
0.69k W
Voltage: 220 – 240V
Power Frequency: 50/60Hz/16A
Lamp Power: 25*2 W

Performance

37 Typical recipes
12 Test food recipes
8 Eco Cooking Programs
10 Heating Methods

- Conventional
- Convection
- Conventional+Fan
- Radiant Heat
- Double Grill+Fan
- Double Grill
- Pizza
- Bottom Heating
- Defrost
- Eco

Features

Touch Control With 2 Knobs
Temperature Proposal
Automatic Rapid Heating Up
Forced Cooling System
Seamless Ceramic Cavity
Removable Racks With Easy to Use Clips
Removable Door
Full Glass Inner Door
Child Safety Lock
Window Temperature: 30-40°C
Glass Door : 3 Layer Movable Glass
Gentle Obpen/Close Door

Included Accessories

- 1 x Grill Rack
- 1 x Universal Pan
- 1 x Enamel Baking Tray
- 2 x Slide rail



MGBO-7511XGE PRO



Measurements (in mm)

Product Dimensions (HxWxD)
595 x 594 x 548 mm
Depth with Door Open (D)
1040 mm
Installation Dimensions (HxWxD)
585 - 595 x 560 - 568 x 550 mm

Technical Information

Cavity: 72 L
Total Connected Load: 3.6W
Voltage: 220 – 240V
Power Frequency: 50/60Hz/16A

Performance

9 Auto Programs
10 Airfry Auto Menu
13 Heating Methods

- Conventional
- Conventional+Fan
- Conventional Eco
- Bottom Heating
- Top Heat
- Small Grill
- Large Grill
- Large Grill+Fan
- Grill+Fan
- Convection
- Convection Eco
- Bottom Heater+Fan
- Defrost

Features

Touch Control
TFT Display
Electronic Clock
Temperature Proposal
Automatic Rapid Heating Up
Forced Cooling System
Seamless Ceramic Cavity
Removable Racks With Easy to Use Clips
Removable Door
Full Glass Inner Door
Window Temperature: 30-40°C
Glass Door : 3 Layer Movable Glass
Gentle Obpen/Close Door

Safty

- Child Safety Lock
- Safty Switch Off
- Forced Cooling System

Included Accessories

- 1 x Grill Rack
- 1 x Universal Pan
- 1 x Enamel Baking Tray
- 2 x Slide rail



MGBO-7315XGE



Measurements (in mm)

Product Dimensions (HxWxD)
595 x 594 x 548 mm
Depth with Door Open (D)
1040 mm
Installation Dimensions (HxWxD)
585 - 595 x 560 - 568 x 550 mm

Technical Information

Cavity: 72 L
Total Connected Load: 3.6W
Voltage: 220 – 240V
Power Frequency: 50/60Hz/16A

Performance

13 Heating Methods

- Conventional Heat
- Hot Air Grilling
- Full Width Grill
- Half Width Grill
- Pizza Setting
- Bottom Heat
- Low Temperature Cooking
- Defrost
- Keep Warm
- Preheating
- Hot Air Gentle
- Eco
- Active Heat

Features

Touch Control
LED Display
Electronic Clock
Temperature Proposal
Soft Move Door
Perfect Roast Plus
Automatic Rapid Heating Up
Supporting Systems: Dish Assist
Max. Window Temperature: 30°C
Glass Door Panel: 2 Layers
Removable Glass Door

Cleaning Functions

Self Clean Direct
Cleaning Aid
Drying

Included Accessories

- 1 x Combination Grids
- 1 x Universal Pan
- 1 x Enamel Baking Tray
- 1 x Telescopic Rail
- 1 x Multipoint Meat Probe



MGBO-7213XGE PRO



Measurements (in mm)

Product Dimensions (HxWxD)
596 x 595 x 546 mm
Control Panel Height: 96 mm
Installation Dimensions (HxWxD)
595 x 560 x 550 mm

Technical Information

Cavity: 72 L
Electronic Power: 3.2k W
Voltage: 220 – 240V
Power Frequency: 50/60Hz/16A
Lamp Power: 25*2 W

Performance

31 Auto recipes
10 Airfry Auto Menu
12 Heating Methods

- Conventional
- Convection
- Conventional+Fan
- Single Grill
- Double Grill+Fan
- Double Grill
- Pizza
- Bottom Heating
- Defrost
- Eco
- Fermentation
- clean

Features

Full Touch Control
Colorful Menu Display & control
Temperature Proposal
Automatic Rapid Heating Up
Forced Cooling System
Seamless Ceramic Cavity
Removable Racks With Easy to Use Clips
Child Safety Lock
Window Temperature: 30-40°C
Glass Door : 3 Layer Movable Glass
Gentle Obpen/Close Door

Included Accessories

- 1 x Grill Rack
- 2 x Grill tray
- 1 x Air Fry Basket
- 2 x Slide rail
- 1 x Probe





Built-in Combi

What kind of food would you like to cook, please just name it. With monogram ovens, you can cook any type of food according to your taste. Due to the types of advanced technologies used in different models of Monogram ovens, we guarantee that the taste of food and its quality will never change.



MGBM-4411X/BGE



Measurements (in mm)

Product Dimensions (HxWxD)
455 x 594 x 548 mm
Depth with Door Open (D)
920 mm
Installation Dimensions (HxWxD)
450 - 455 x 560 - 568 x 550 mm

Technical Information

Cavity: 50L
Microwave (Watts): 90, 180, 360, 600, 900
Total Connected Load: 3.6W
Voltage: 220 – 240V

Performance

- 13 Cooking Program
- 3 Defrost-program
- 8 Heating Methods
- Bottom Heating
- Conventional Heat
- Conventional Heat Gentle
- Grill, Large Area
- Grill, Small Area
- Hotair Gentle
- Hotair Grill
- Preheating
- Microwave
- Microwave + Hotair Grill
- Microwave + Conventional Heat

Features

- Touch Control
- LED Display
- Electronic Clock
- Automatic Switch-Off
- World of Recipes
- Hot Air Gentle
- Supporting Systems: Dish Assist
- Cleaning Assistance
- Inverter Magnetron
- Assistance Function
- Cooking Tips
- Max. Window Temperature: 40°C
- Glass Door Panel: 2 Layers

Cleaning Functions

- Cleaning Aid
- Drying

Included Accessories

- 1 x Combination Grids
- 1 x Universal Pan
- 1 x Glass Pan



MGBM-4433X/BGE



Measurements (in mm)

Product Dimensions (HxWxD)
455 x 594 x 548 mm
Depth with Door Open (D)
920 mm
Installation Dimensions (HxWxD)
450 - 455 x 560 - 568 x 550 mm

Technical Information

Cavity: 50L
Microwave (Watts): 90, 180, 360, 600, 900
Total Connected Load: 3.6W
Voltage: 220 – 240V
Output (grill): Max 1650 W

Performance

- 13 Cooking Program
- 3 Defrost-program
- 8 Heating Methods
- Bottom Heating
- Conventional Heat
- Conventional Heat Gentle
- Grill, Large Area
- Grill, Small Area
- Hotair Gentle
- Hotair Grill
- Preheating
- Microwave
- Microwave + Hotair Grill
- Microwave + Conventional Heat

Features

- Touch Control
- LED Display
- Electronic Clock
- Automatic Switch-Off
- World of Recipes
- Hot Air Gentle
- Hot Air Gentle
- Cleaning Assistance
- Inverter Magnetron
- Assistance Function
- Cooking Tips
- Max. Window Temperature: 40°C
- Glass Door Panel: 2 Layers

Cleaning Functions

- Cleaning Aid
- Drying

Included Accessories

- 1 x Combination Grid
- 1 x Universal Pan
- 1 x Glass Pan



MGBM-5006BGE



Measurements (in mm)

Product Dimensions (HxWxD)
455 x 594 x 548 mm
Depth with Door Open (D)
920 mm
Installation Dimensions (HxWxD)
450 - 455 x 560 - 568 x 550 mm

Technical Information

Cavity: 50L
Microwave (Watts): 90, 180, 360, 600, 900
Voltage: 220 – 240V
Power Frequency: 50Hz/16A

Performance

- 13 Cooking Program
- 3 Defrost-program
- 8 Heating Methods
- Conventional Heat
- Conventional Heat Gentle
- Grill, Large Area
- Grill, Small Area
- Bottom Heat
- Hotair Gentle
- Hotair Grill
- Preheating
- Microwave
- Microwave + Hotair Grill
- Microwave + Conventional Heat

Features

- Touch Control
- Control Ring
- LED Display
- Electronic Clock
- Automatic Switch-Off
- World of Recipes
- Hotair Gentle
- Supporting Systems: Dish Assist
- Cleaning Assistance
- Inverter Magnetron
- Assistance Function
- Cooking Tips
- Max. Window Temperature: 40°C
- Glass Door Panel: 2 Layers

Cleaning Functions

- Cleaning Aid
- Drying

Included Accessories

- 1 x Combination Grids
- 1 x Universal Pan
- 1 x Glass Pan



MGBM-4512XGE



Measurements (in mm)

Product Dimensions (HxWxD)
455 x 594 x 548 mm
Depth with Door Open (D)
920 mm
Installation Dimensions (HxWxD)
450 - 455 x 560 - 568 x 550 mm

Technical Information

Cavity: 38L
Microwave (Watts): 1000 W
Voltage: 220 – 240V
Output (grill): Max 1650 W

Performance

- Microwave
- Defrost By Weight
- Defrost By Time
- Grilling
- Microwave + Grilling
- Pizza

Features

- Fully sensor touch control LED
- Fully electronic display cooking
- Duration setting digital clock
- Automatic cut-off timer door
- Interlock stainless steel
- 3 layers glass door
- Child lock system

Cleaning Functions

- Cleaning Aid
- Drying

Included Accessories

- 1 x drive shaft
- 1 x swivel subassembly
- 1 x grilling rack
- 1 x baking tray
- 1 x turntable



MGBM-4411XGE PRO



Measurements (in mm)

Product Dimensions (HxWxD)
455 x 594 x 548 mm
Depth with Door Open (D)
920 mm
Installation Dimensions (HxWxD)
450 - 455 x 560 - 568 x 550 mm

Technical Information

Cavity: 50L
Microwave (Watts): 90, 180, 360, 600, 900
Grill Power (Watts): 2200
Convection Power (Watts): 1700
Total Connected Load: 3.6W
Voltage: 220 – 240V
Power Frequency: 50Hz/16A

Performance

23 Auto Recipes
12 Cooking Program
8 Heating Methods

- Bottom Heating
- Conventional Heat
- Conventional Heat Gentle
- Grill, Large Area
- Grill, Small Area
- Hotair Gentle
- Hotair Grill
- Preheating
- Microwave
- Microwave + Hotair Grill

Features

Touch Control
TFT Display
Electronic Clock
Hot Air Gentle
Cleaning Assistance
Assistance Function
Window Temperature: 30-40°C
Gentle Obpen/Close Door
Glass Door : 3 Layer Movable Glass
Seamless Ceramic Cavity
Removable Racks With Easy to Use Clips
Removable Door
Full Glass Inner Door

Safty

- Child Safety Lock
- Safty Switch Off

Included Accessories

- 1 x Grill Rack
- 1 x Grill tray
- 1 x Glass Pan



MGBM-4433XGE PRO



Measurements (in mm)

Product Dimensions (HxWxD)
455 x 594 x 548 mm
Depth with Door Open (D)
920 mm
Installation Dimensions (HxWxD)
450 - 455 x 560 - 568 x 550 mm

Technical Information

Cavity: 50L
Microwave (Watts): 90, 180, 360, 600, 900
Grill Power (Watts): 2200
Convection Power (Watts): 1700
Total Connected Load: 3.6W
Voltage: 220 – 240V
Power Frequency: 50Hz/16A

Performance

13 Auto Recipes
9 Cooking Program
8 Heating Methods

- Bottom Heating
- Conventional Heat
- Conventional Heat Gentle
- Grill, Large Area
- Grill, Small Area
- Hotair Gentle
- Hotair Grill
- Preheating
- Microwave
- Microwave + Hotair Grill

Features

Touch Control
LED Display
Electronic Clock
Hot Air Gentle
Cleaning Assistance
Assistance Function
Window Temperature: 30-40°C
Gentle Obpen/Close Door
Glass Door : 3 Layer Movable Glass
Seamless Ceramic Cavity
Removable Racks With Easy to Use Clips
Removable Door
Full Glass Inner Door

Safty

- Child Safety Lock
- Safty Switch Off

Included Accessories

- 1 x Grill Rack
- 1 x Grill tray
- 1 x Glass Pan



MGBM-5006XGE PRO



Measurements (in mm)

Product Dimensions (HxWxD)
455 x 594 x 548 mm
Depth with Door Open (D)
920 mm
Installation Dimensions (HxWxD)
450 - 455 x 560 - 568 x 550 mm

Technical Information

Cavity: 50L
Microwave (Watts): 90, 180, 360, 600, 900
Grill Power (Watts): 2200
Convection Power (Watts): 1700
Total Connected Load: 3.6W
Voltage: 220 – 240V
Power Frequency: 50Hz/16A

Performance

13 Auto Recipes
9 Cooking Program
8 Heating Methods

- Bottom Heating
- Conventional Heat
- Conventional Heat Gentle
- Grill, Large Area
- Grill, Small Area
- Hotair Gentle
- Hotair Grill
- Preheating
- Microwave
- Microwave + Hotair Grill

Features

Touch Control With 2 Knobs
LED Display
Electronic Clock
Hot Air Gentle
Cleaning Assistance
Assistance Function
Window Temperature: 30-40°C
Gentle Obpen/Close Door
Glass Door : 3 Layer Movable Glass
Seamless Ceramic Cavity
Removable Racks With Easy to Use Clips
Removable Door
Full Glass Inner Door

Safty

- Child Safety Lock
- Safty Switch Off

Included Accessories

- 1 x Grill Rack
- 1 x Grill tray
- 1 x Glass Pan





Built-in Microwave

Discover the perfect blend of convenience and technology with our built-in microwave. Designed for seamless integration, it offers multiple functions like reheating, defrosting, and cooking with precision. Stylish and efficient, it's a must-have for modern kitchens.



MGBM-26XGE



Measurements (in mm)

Product Dimensions (HxWxD)
455 X 594 X 420 mm
Depth with Door Open (D)
895 mm
Installation Dimensions (HxWxD)
410 X 560-568 X 390 mm

Technical Information

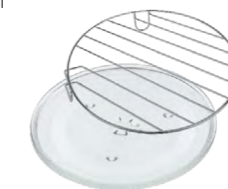
Cavity: 26L
Microwave (Watts):
90,180,360,600,900
Total Connected Load: 1.2 W
Voltage: 220 – 240V
Power Frequency: 50hz/60hz/10A

Performance

Warm
Defrost

Features

Touch Control
Control Ring
LED Display
Quick Start
7 Automatic Programs
Weight Control
Cleaning Assistance
Easy Clean
Clock / Timer
Cook Control



MGBM-2808XGE



Measurements (in mm)

Product Dimensions (HxWxD)
455 X 594 X 420 mm
Depth with Door Open (D)
895 mm
Installation Dimensions (HxWxD)
410 X 560-568 X 390 mm

Technical Information

Cavity: 26L
Microwave (Watts):
90,180,360,600,900
Total Connected Load: 1.2 W
Voltage: 220 – 240V
Power Frequency: 50hz/60hz/10A

Performance

Warm
Defrost

Features

Touch Control
Control Ring
LED Display
Quick Start
7 Automatic Programs
Weight Control
Cleaning Assistance
Easy Clean
Clock / Timer
Cook Control



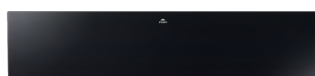


Built-in Warming Drawer

A sleek and versatile addition to your kitchen, the warming drawer keeps your dishes at the perfect serving temperature. With its modern design and precise temperature control, it's ideal for warming food, defrosting, or even slow cooking. Perfectly blends function with style for every culinary need.

“

MGBW-44BGE



Measurements (in mm)

Product Dimensions (HxWxD)
140 X 594 X 518 mm
Installation Dimensions (HxWxD)
140-140x560-568x550mm

Technical Information

Total Connected Load: 1000W
Cavity: 22 L
Voltage: 220 – 240V
Power Frequency: 50/60hz/10A

Features

Push-pull Mechanism
Full Touch Digital Control
Temperature Adjustment: 30 - 80°C
Loading Up To 25kg

Performance

19 Slow Cook Options
19 Heating Methods
6 Function

- Bread Dough Proofing
- Slow Cooking
- Yogurt Preparation
- Defrosting & Softening
- Keeping Drinks & Food Warm
- Pre-Warming & Sterilizing Dinnerware

MGBW-11XGE



Measurements (in mm)

Product Dimensions (HxWxD)
140 X 594 X 518 mm
Installation Dimensions (HxWxD)
140-140x560-568x550mm

Technical Information

Total Connected Load: 820W
Voltage: 220 – 240V
Power Frequency: 50/60hz/10A

Features

Push-pull Mechanism
Heating Plate Made Of
Toughened Glass
Loading Up To 25kg

Performance

Slow Cooking
3 Heating Methods

- Cup Warming
- Plate Warming
- Warming

MGBW-11BGE



Measurements (in mm)

Product Dimensions (HxWxD)
140 X 594 X 518 mm
Installation Dimensions (HxWxD)
140-140x560-568x550mm

Technical Information

Total Connected Load: 820W
Voltage: 220 – 240V
Power Frequency: 50/60hz/10A

Features

Push-pull Mechanism
Heating Plate Made Of
Toughened Glass
Loading Up To 25kg

Performance

Slow Cooking
3 Heating Methods

- Cup Warming
- Plate Warming
- Warming





Built-in Coffee Machine

Welcome to the luxurious life. With monogram coffee maker you have actually brought a coffee shop into your kitchen and you will be able to drink espresso, latte, americano, cappuccino, macchiato and mocha anytime you want... enjoy.

“



MGBC-01XGE PRO



Measurements (in mm)

Product Dimensions (HxWxD)
455 X 594 X 450 mm
Installation Dimensions (HxWxD)
450 X 560 X 420 mm

Technical Information

Capacity Water Container: 1.8l
Voltage: 220 – 240V
Power Frequency: 50/60hz/10A

Performance

Boiler: Single Boiler
Water Pump With 19 Bar
Wi-Fi Model: Built-in

Capacity

Water Tank Capacity: 2.4L
Milk Tank Capacity: 500 ml
Coffee Bean Hopper Capacity: 500g
Water Box Capacity: 10-15 Servings

Cleaning Functions

Automatic calc clean
Removable Brewing Unit
Dishwasher-proof
Automatic Reminder For Cleaning
Descaling Or Water Filter Change

Features

Touch Control
TFT Display
Favourites
Mix Beverages
Onetouch Doublecup
Adjustable Milk Ratio For Classic Milk, Warm Milk, Milk Froth And Hot Water
10 Automatic Preset Beverages
20 Customizable drinks Manually
Aroma Select
Aromadouble Shot
Intelligent Strength Adjustment
Height Adjustable Beverage Outlet
Telescopic Raile Function
Flavors: 11 Different Options
Grongd Level Adjustment: Fully Adjustable With Variable Speed
Milk Foam Option: Digital Adjustment Via Menu
Milk Tank Temperature: Room Temperature

MGBC-01XGE



Measurements (in mm)

Product Dimensions (HxWxD)
455 X 594 X 450 mm
Installation Dimensions (HxWxD)
450 X 560 X 420 mm

Technical Information

Capacity Water Container: 1.8l
Voltage: 220 – 240V
Power Frequency: 50/60hz/10A

Performance

Silentcream Drive
Water Pump With 19 Bar
Pressure

Cleaning Functions

Automatic calc clean
Removable Brewing Unit
Dishwasher-proof
Automatic Reminder For Cleaning
Descaling Or Water Filter Change

Features

Touch Control
Digital Control Ring
LED Display
Coffee World
Favourites
Up To 10 Beverages
Aroma Select
Aromadouble Shot
Intelligent Strength Adjustment
Onetouch Doublecup
Adjustable Milk Ratio For Classic Mix Beverages
Warm Milk, Milk Froth And Hot Function
Height Adjustable Beverage Outlet
Telescopic Raile Function
Grinder 5 Leves

MGBC-6045DB



Measurements (in mm)

Product Dimensions (HxWxD)
455 X 594 X 450 mm
Installation Dimensions (HxWxD)
450 X 560 X 420 mm

Technical Information

Capacity Water Container: 1.8l
Voltage: 220 – 240V
Power Frequency: 50/60hz/10A

Performance

Silentcream Drive
Water Pump With 15 Bar
Pressure

Cleaning Functions

Automatic calc clean
Removable Brewing Unit
Dishwasher-proof
Automatic Reminder For Cleaning
Descaling Or Water Filter Change

Features

Touch Control
Digital Control Ring
LED Display
Coffee World
Favourites
Up To 32 Beverages
Aroma Select
Aromadouble Shot
Intelligent Strength Adjustment
Onetouch Doublecup
Adjustable Milk Ratio For Classic
Milk
Mix Beverages
Warm Milk, Milk Froth And Hot
Water
Function
Height Adjustable Beverage Outlet
Telescopic Raile Function
Grinder 7 Leves





Built-in Washing Machine

With great effort, we managed to create one of the best possible washing machines in the entire world for our customers, in such a way that not only brought cleanliness and softness to all kinds of clothes with different washing programs, but also the drum is one of the best kinds that caused the least possible damage to the fabric of clothes duration using monogram washing machines.

“

BWD-B1209G



Measurements (in mm)

Product Dimensions (HxWxD)
886 X 600 X 550 mm
Installation Dimensions (HxWxD)
825 X 595 X 500mm

Technical Information

Washing Capacity: 8 Kg
Drying Capacity: 5 kg
Voltage: 220 – 230V
Power Frequency: 50/60hz/16A

Features

- Prewash
- Fast+
- Drying
- Bluetooth
- DrumClean+
- SteamCure
- Child Lock
- AntiCrease+

Performance

- 15 Programs
- Cottons Programme
 - Cottons Eco Programme
 - Synthetics Programme
 - Woollens / Hand Wash Programme
 - Daily Xpress / Xpress Super Short 14 min Programme
 - Shirts Programme
 - Downloaded Programme
 - Spin & Pump Programme
 - Rinse Programme
 - Cottons Wash & Dry Programme
 - Synthetics Wash & Dry Programme
 - 5 kg Wash & Dry Programme
 - Hygiene+ Wash & Dry Programme
 - Wash & Wear Programme
 - Hygiene Air Refresh

BWD-B1309G



Measurements (in mm)

Product Dimensions (HxWxD)
886 X 600 X 580 mm
Installation Dimensions (HxWxD)
825 X 595 X 535 mm

Technical Information

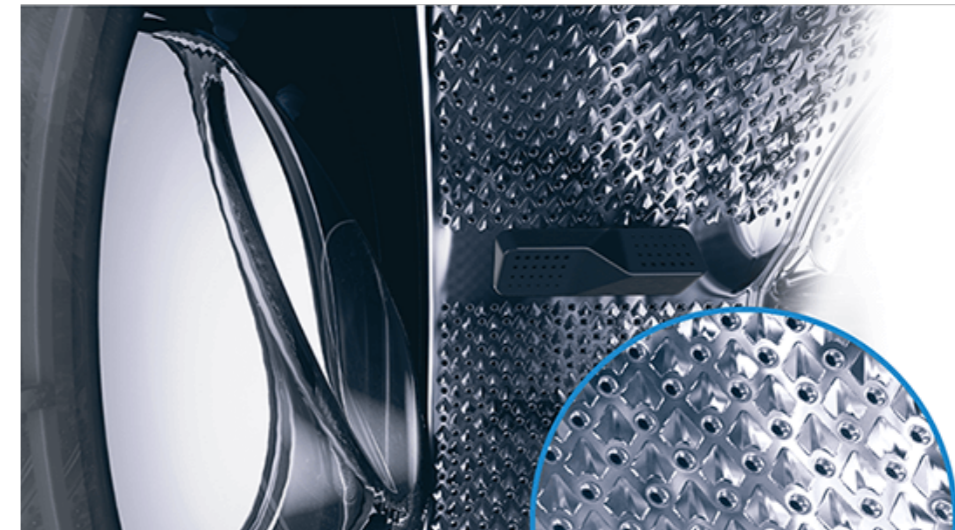
Capacity: 8 Kg
Voltage: 220 – 240V
Power Frequency: 50/60hz/16A

Features

- Function Led Display
- My Cycle, Baby Care
- Prewash/Extra Rinse
- Delay Start (0-24h)
- Spin Speed/Temp
- Selection Child Lock

Performance

- 16 Programs
- Cotton
 - Sport
 - Synthetic
 - Mixed
 - Delicate
 - Wool
 - Baby Care
 - Quick 15
 - Rapid 45
 - 20 C
 - Jeans
 - Eco 40-60
 - Intensive
 - Rines& Spin
 - Spin Only
 - My Cycle



MOBD-1563XG



Measurements (in mm)

Product Dimensions (HxWxD)
820 X 600 X 560 mm
Installation Dimensions (HxWxD)
820 X 595 X 550 mm

Features

- 60cm Fully Integrated Dishwasher
- 12/14 Place Setting Capacity
- Stainless Steel Interior
- Electronic Control With LED Display
- Water Overflow Protection
- Height Adjustable Upper Basket
- Child Lock; 3 In 1 Included

Performance

- 7 Programs
- Intensive
- Normal
- Economic
- Rapid & Pre-rinse
- Crystal
- 60 Min
- Rapid



Built-in Dishwasher

The most important goal of Monogram company is to make living conditions in homes more comfortable, and we will not achieve this goal unless we provide the best type of dishwasher for our customers, so we can assure that by using Monogram dishwasher you will feel the shine and cleanliness in your dishes when you are resting with comfort and peace.

“



Built-in Fridge & Freezer

The most important component in refrigerator-freezers is the use of high advance materials in their construction to ensure the internal and external lifespan of the structure. much attention has been paid to this importance in Monogram refrigerators, while scientific knowledge has been optimally used to preserve and maintain the quality of foods in it. Cheers

“



MBRF-550XGE

Measurements (in mm)

Total volume (L): 550
 Freezer (L): 210
 Fridge (L): 340
 Product Dimension (HxWxD):
 1853 x 906 x 560
 Installation Dimensions (HxWxD):
 1858 x 906 x 570

Features

Patent Technology
 Food Safty Certificate
 Classic
 Sus 304 Food Level Stainless Steel
 Liner
 Vegetabel Box/Drawer/Rack
 Double Door Big Capacity
 Hittch Hinge



MBF-250GE

Measurements (in mm)

Product Dimensions (HxWxD)
 1785 x 560 x 550 mm
 Installation Dimensions (HxWxD)
 1776 x 540 x 540 mm
 Total volume (L): 250

Features

- Energy Grade: A
- Color: White
- Sound 42 Db
- Number Of Drawer: 7
- No Frost
- European Plug



MBR-350GE

Measurements (in mm)

Product Dimensions (HxWxD)
 1785 x 560 x 550 mm
 Installation Dimensions (HxWxD)
 1776 x 540 x 540 mm
 Total volume (L): 350

Features

- Energy Grade: A
- Color: White
- Sound 42 Db
- Number Of Shelves: 5
- Number Of Drawer: 2
- No Frost
- European Plug



MBF-260XGE

Measurements (in mm)

Product Dimensions (HxWxD)
 1870 x 553 x 559 mm
 Installation Dimensions (HxWxD)
 1875 x 563 x 564 mm
 Total volume (L): 260

Features

- Energy Grade: A
- Color: Silver
- Sound 42 Db
- No Frost
- High Efficiency Inverter Compressor
- Ag+ Antibiosis
- Sus 304 Food Level
- Stainless Steel
- Drawer/Hettich Hinge
- Bottom Directly Heat
- Transfer/ Easy Install
- Unique 5 Stainless Steel Drawer Design
- Smart fridge
- Freezing zone



MBR-360XGE

Measurements (in mm)

Product Dimensions (HxWxD)
 1870 x 553 x 559 mm
 Installation Dimensions (HxWxD)
 1875 x 563 x 564 mm
 Total volume (L): 360

Features

- Energy Grade: A
- Color: Silver
- Sound 42 Db
- No Frost
- European Plug
- High Efficiency Inverter Compressor
- Ag+ Antibiosis
- Sus 304 Food Level
- Stainless Steel
- Drawer/Hettich Hinge
- Bottom Directly Heat
- Transfer/ Easy Install
- Unique 3 Stainless Steel Drawer Design



MBF-276GE

Measurements (in mm)

Product Dimensions (HxWxD)
 1770 x 545 x 556 mm
 Installation Dimensions (HxWxD)
 1850 x 625 x 588 mm
 Total volume (L): 276

Design & Material

- Door Panel: Metal/Wood
- Metal Back: Yes

Features

- Energy Grade: F
- Color: White
- Sound 38 Db
- Temperature Control: Electronic
- Temperature Range (°C): -25 to -14
- Number of Drawer: 8
- Interiur LED Lightin: Yes
- External Display: Yes
- Supper Freez Function: Yes
- Door Open Alarm: Yes
- Safety Glass Shelves: Yes
- Defrost System: Yes



MBR-308GE

Measurements (in mm)

Product Dimensions (HxWxD)
 1870 x 553 x 559 mm
 Installation Dimensions (HxWxD)
 1875 x 563 x 564 mm
 Total volume (L): 308

Design & Material

- Door Panel: Metal/Wood
- Metal Back: Yes

Features

- Energy Grade: E
- Color: White
- Sound 38 Db
- Temperature Control: Electronic
- Temperature Range (°C): 0 to 10
- Number of Drawer: 3
- Number Of Shelves: 5
- Safety Glass Shelves: Yes
- Holiday Mood: Yes
- AirFlow Cooling System: Yes
- Food Strong Drawer: Yes
- Interior LED Lightin: Yes
- External Display: Yes
- Supper Freez Function: Yes
- Door Open Alarm: Yes
- Defrost System: Yes



MBR-110GE

Measurements (in mm)

Product Dimensions (HxWxD)
820 x 595 x 545 mm
Installation Dimensions (HxWxD)
830 x 605 x 550 mm
Total volume (L): 110

Features

- Energy Grade: A
- Color: White
- Sound 42 Db
- Number Of Shelves: 3
- European Plug
- Safety Glass
- Soft Closing Door



MBCR-430GE

Measurements (in mm)

Total volume (L): 238
Freezer (L): 69
Fridge (L): 169
Product Dimensions (HxWxD)
1770 x 540 x 545 mm
Installation Dimensions (HxWxD)
1776 x 558 x 560 mm

Features

- Energy Grade: A
- Color: White
- Sound 42 Db
- No Frost
- High Efficiency Inverter Compressor
- Safety Glass
- Easy Lift
- Drawer/Hettich Hinge
- Bottom Directly Heat
- Transfer/ Easy Install
- Unique 3 Drawer Design
- Smart fridge
- Super Freezing
- Super Cooling



MBR-135GE

Measurements (in mm)

Product Dimensions (HxWxD)
820 x 595 x 550 mm
Installation Dimensions (HxWxD)
880 x 655 x 585 mm
Total volume (L): 135

Design & Material

- Door Panel: Metal/Wood
- Metal Back: Yes

Features

- Energy Grade: E
- Color: White
- Sound 38 Db
- Temperature Control: Electronic
- Defrost System: Yes
- Temperature Range (°C): 2 to 10
- Number Of Shelves: 3
- Safety Glass Shelves: Yes
- Interior LED Lightin: Yes
- External Display: Yes
- Supper Freez Function: Yes
- Door Open Alarm: Yes
- Defrost System: Yes



MBCR-275GE



Measurements (in mm)

Product Dimensions (HxWxD)
1770 x 540 x 545 mm
Installation Dimensions (HxWxD)
1776 x 558 x 560 mm
Total volume (L): 275

Design & Material

- Door Panel: Metal/Wood
- Metal Back: Yes

Features

- Energy Grade: E
- Color: White
- Sound 38 Db
- Temperature Control: Electronic
- Refrigerator Temperature Range (°C): 2 to 10
- Freezer Temperature Range(°C): -25 to -14
- Exact Temperature Setting (°C): 0, 2, 4
- Number of Drawer: 4
- Number Of Shelves: 4
- Safety Glass Shelves: Yes
- Holiday Mood: Yes
- AirFlow Cooling System: Yes
- Food Strong Drawer: Yes
- Interior LED Lightin: Yes
- External Display: Yes
- Supper Freez Function: Yes
- Door Open Alarm: Yes
- Defrost System: Yes



Built-in Wine Cooler

The most critical aspect of wine coolers lies in the use of advanced materials in their design and construction to ensure long-term durability and optimal performance. Monogram wine coolers have been meticulously crafted with this in mind, combining cutting-edge technology and scientific precision to maintain the ideal conditions for preserving and aging wines. Cheers!



MBF-305W67GE

Measurements (in mm)

Product Dimensions (HxWxD)
1770 x 556 x 575 mm
Installation Dimensions (HxWxD)
1850 x 625 x 640 mm
Total volume (L): 305

Options

- Different kinds Door Frames
- Different kinds Of Shelves
- OLED Display Panel

Features

- 67 Bottles
- Temp Range: 5- 22° C
- 5 inch TFT Touch Panel
- Top RGB LED Lighting
- Dynamic Climate Control System
- Stainless Steel Air Deflector
- Service Zone
- Soft Cosing Hinge
- Beech Shelf With Telescopic Slider
- customized Panel



MBF-63W24GE

Measurements (in mm)

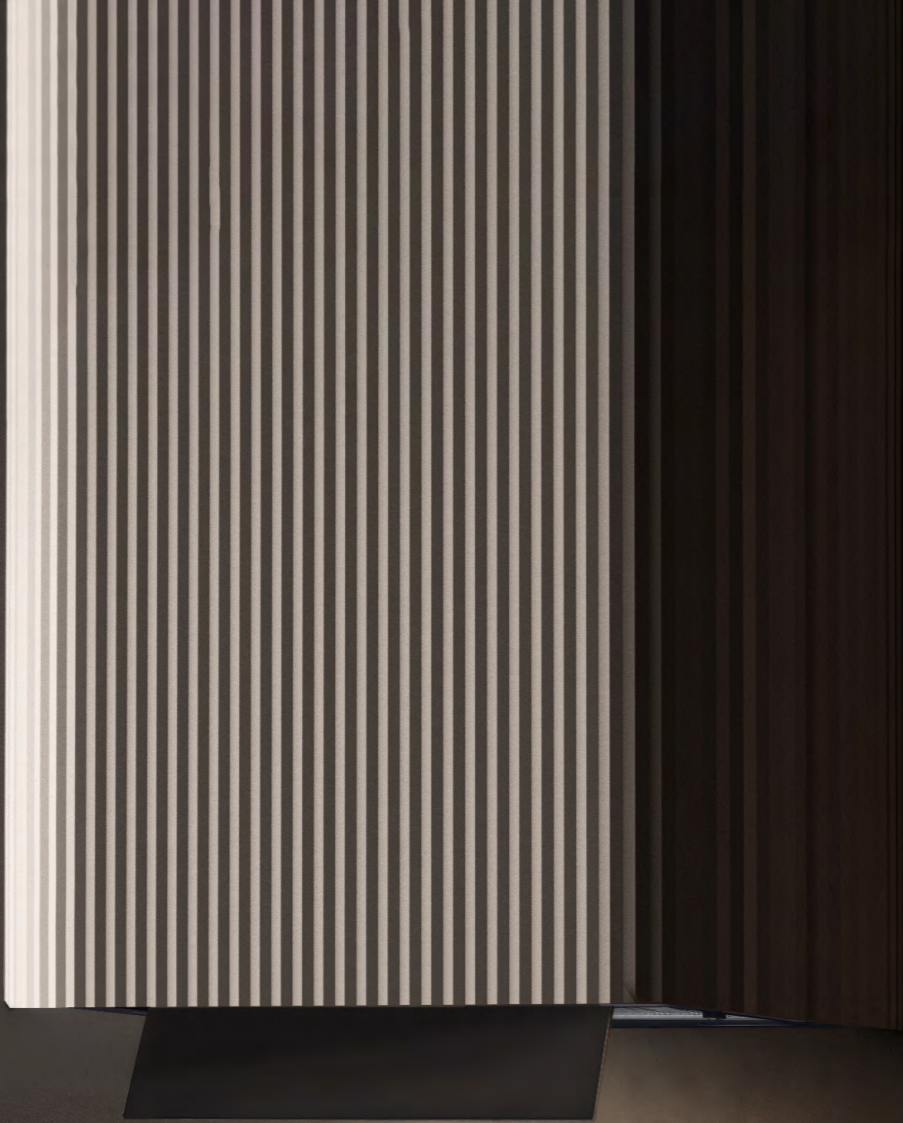
Product Dimensions (HxWxD)
448*455 x 545*590 x 554 mm
Installation Dimensions (HxWxD)
542 x 653 x 542 mm
Total volume (L): 63

Options

- Different kinds Door Frames
- Different kinds Of Shelves
- Different kinds Display Panel
- Regular Door Open Way
- Different Color Lighting

Features

- 24 Bottles
- Temp Range: 5- 22° C
- 2.9 inch TFT Touch Panel
- Three Color LED Lighting On Both Slies
- Dynamic Climate Control System
- Sofr Closing Hinge
- Beech Shelf With Slider
- Built in ventilation system fits with any kind of cabinet Seamless



Built-in Hood

Hoods may not be given much attention in the kitchen, but the fact is that the optimal performance of this structure causes the elimination of inappropriate odors in our living areas and can provide a more pleasant environment for the residents of the house. Monogram hoods will help us to create such conditions due to their high suction power and strong and suitable filters, and of course, they do this in silence due to having strong and quiet engines.

“



DC DUAL BLACK



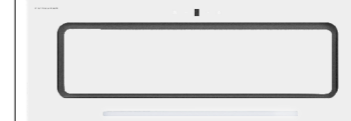
Measurements (in mm)

Product Dimensions (HxWxD)
793 x 292 x 300 mm
Installation Dimensions (HxWxD)
775 x 275 x 290 mm

Features

- Kitchen Cupboard Installation
- Rim Ventilation
- Full Touch Button Control
- 4 Power Levels
- LED Light
- Power of Suction 750 m³/h
- Glass Frame
- Silence Bakelite Fan
- Washable Filter

DC DUAL WHITE



Measurements (in mm)

Product Dimensions (HxWxD)
793 x 292 x 300 mm
Installation Dimensions (HxWxD)
775 x 275 x 290 mm

Features

- Kitchen Cupboard Installation
- Rim Ventilation
- Full Touch Button Control
- 4 Power Levels
- LED Light
- Power of Suction 750 m³/h
- Glass Frame
- Silence Bakelite Fan
- Washable Filter

OMEGA X



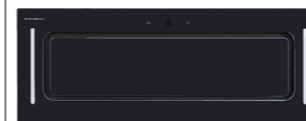
Measurements (in mm)

Product Dimensions (HxWxD)
700 x 300 x 310 mm
Installation Dimensions (HxWxD)
640 x 255 x 295 mm

Features

- Kitchen Cupboard Installation
- Rim Ventilation
- 4 Power Levels
- 2 LED Lights
- Power of Suction 780 m³/h
- Stainless Steel Frame
- Silence Bakelite Fan
- Washable Filter

KONVEX BLACK



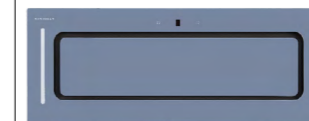
Measurements (in mm)

Product Dimensions (HxWxD)
793 x 292 x 300 mm
Installation Dimensions (HxWxD)
775 x 275 x 290 mm

Features

- Kitchen Cupboard Installation
- Rim Ventilation
- Full Touch Button Control
- 4 Power Levels
- 2 LED Lights
- Power of Suction 750 m³/h
- Glass Frame
- Silence Bakelite Fan
- Washable Filter

KONVEX SILVER



Measurements (in mm)

Product Dimensions (HxWxD)
793 x 292 x 300 mm
Installation Dimensions (HxWxD)
775 x 275 x 290 mm

Features

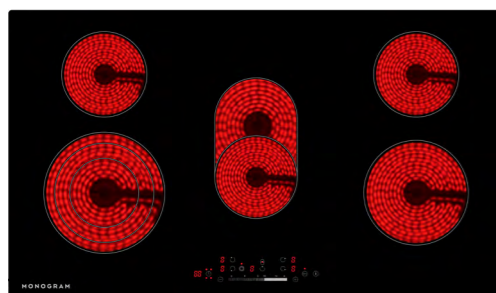
- Kitchen Cupboard Installation
- Rim Ventilation
- Full Touch Button Control
- 4 Power Levels
- 2 LED Lights
- Power of Suction 750 m³/h
- Glass Frame
- Silence Bakelite Fan
- Washable Filter



Built-in Hot Plate

Designed for versatility and convenience, our hot plates offer reliable performance in a compact form. Whether you need an extra cooking surface or a portable solution, Monogram hot plates provide consistent heating, safety, and ease of use. Elevate your cooking experience with efficiency and innovation.

“



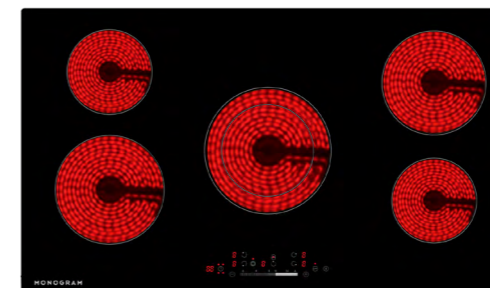
MGBH-905GB88GE

Measurements (in mm)

Product Dimensions (LxWxH)
900 x 520 x 55 mm
Installation Dimensions (LxWxH)
860 x 480 x 55 mm

Specifications

Total power(W): 8600 W
Left up power(W): 1200 W
Left down zone(W): 2400 W (800+800+800)
Middle zone(W): 2000 W (1100+900)
Right up zone(W): 1200 W
Right down zone(W): 1800 W
Housing: Metal Housing
Glass: Kanger



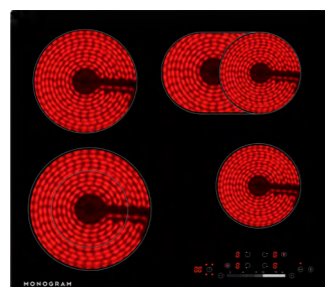
MGBH-905GB71GE

Measurements (in mm)

Product Dimensions (LxWxH)
900 x 520 x 55 mm
Installation Dimensions (LxWxH)
860 x 480 x 55 mm

Specifications

Total power(W): 8600 W
Left up power(W): 1800 W
Left down zone(W): 1800 W
Middle zone(W): 2000 W
Right up zone(W): 1800 W
Right down zone(W): 1200 W
Housing: Metal Housing
Glass: Kanger



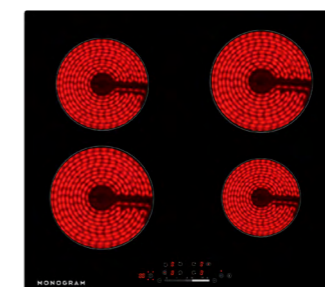
MGBH-604GB86GE

Measurements (in mm)

Product Dimensions (LxWxH)
590 x 520 x 55 mm
Installation Dimensions (LxWxH)
560 x 490 x 55 mm

Specifications

Total power(W): 7000 W
Left up power(W): 1800 W
Left down zone(W): 2000 W (1000+1000)
Right up zone(W): 2000 W (1100+900)
Right down zone(W): 1200 W
Housing: Metal Housing
Glass: Kanger



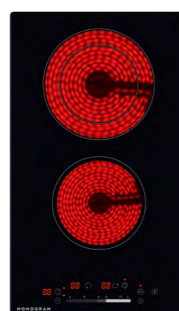
MGBH-605GB72GE

Measurements (in mm)

Product Dimensions (LxWxH)
590 x 520 x 55 mm
Installation Dimensions (LxWxH)
560 x 490 x 55 mm

Specifications

Total power(W): 6600 W
Left up power(W): 1800 W
Left down zone(W): 1800 W
Right up zone(W): 1800 W
Right down zone(W): 1200 W
Housing: Metal Housing
Glass: Kanger



MGBH-302GB83GE

Measurements (in mm)

Product Dimensions (LxWxH)
295 x 510 x 55 mm
Installation Dimensions (LxWxH)
270 x 480 x 55 mm

Specifications

Total power(W): 3200 W
up zone(W): 2000 W (1100+1100)
down zone(W): 1200 W
Housing: Metal housing
Glass: Kanger



MGBH-305GB73GE

Measurements (in mm)

Product Dimensions (LxWxH)
295 x 510 x 55 mm
Installation Dimensions (LxWxH)
270 x 480 x 55 mm

Specifications

Total power(W): 3000 W
up zone(W): 1800 W
down zone(W): 1200 W
Housing: Metal housing
Glass: Kanger

Built-in Gas Cooktop

When it comes to gas cooktops, we take pride in combining high performance with elegant design. By utilizing top-quality materials and advanced technology, our gas cooktops ensure precision cooking, durability, and maximum safety. Experience the perfect blend of power and style with Monogram gas cooktops.

“





MGBH-915XS51GE

Measurements (in mm)

Product Dimensions (LxWxH)
860 x 510 x 85 mm
Installation Dimensions (LxWxH)
830 x 480 x 85 mm
With Defendi Burner
Stainless Steel Panel
Cast Iron Pan Support
Metal Knob



MGBH-915XS52GE

Measurements (in mm)

Product Dimensions (LxWxH)
909 x 510 x 85 mm
Installation Dimensions (LxWxH)
870 x 480 x 85 mm
With Defendi Burner
Stainless Steel Panel With Alu. Fornt Panel
Cast Iron Pan Support
Metal Knob



MGBH-915XS53 GE

Measurements (in mm)

Product Dimensions (LxWxH)
909 x 510 x 85 mm
Installation Dimensions (LxWxH)
870 x 480 x 85 mm
With Defendi Burner
Stainless Steel Panel With Alu. Fornt Panel
Cast Iron Pan Support
Iron Pan Support
Metal Knob



MGBH-604XS29GE

Measurements (in mm)

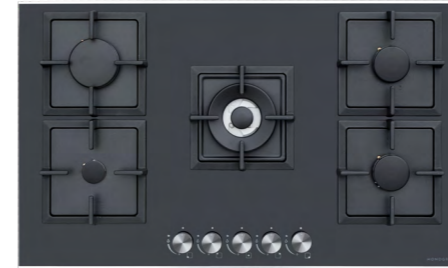
Product Dimensions (LxWxH)
600 x 515 x 90 mm
Installation Dimensions (LxWxH)
570 x 480 x 85 mm
With Defendi Burner
Stainless Steel Panel With Alu. Fornt Panel
Cast Iron Pan Support
Metal Knob



MGBH-302XS21GE

Measurements (in mm)

Product Dimensions (LxWxH)
500 x 290 x 90 mm
Installation Dimensions (LxWxH)
480 x 270 x 90 mm
With Defendi Burner
Stainless Steel
Cast Iron Pan Support
Metal Knob



MGBH-915GB81GE

Measurements (in mm)

Product Dimensions (LxWxH)
865 x 510 x 90 mm
Installation Dimensions (LxWxH)
845 x 480 x 90 mm
With defendi Burner
Tempered Glass
Cast Iron Pan Support
Metal Knob



MGBH-915GB82GE

Measurements (in mm)

Product Dimensions (LxWxH)
875 x 510 x 90 mm
Installation Dimensions (LxWxH)
850 x 480 x 90 mm
With Defendi Burner
Tempered Glass Panel
Cast Iron Pan Support
Metal Knob



MGBH-915GB83GE

Measurements (in mm)

Product Dimensions (LxWxH)
860 x 480 x 90 mm
Installation Dimensions (LxWxH)
870 x 480 x 85 mm
With Defendi Normal Burner
Tempered Glass Panel With Alu. Front Panel
Cast Iron Pan Support
Metal Knob



MGBH-905GB75GE

Measurements (in mm)

Product Dimensions (LxWxH)
890 x 520 x 90 mm
Installation Dimensions (LxWxH)
860 x 480 x 90 mm
With Sabaf Normal Burner
Tempered Glass Panel
Cast Iron Pan Support





SPOT

Color: Chrome
 Material: Brass
 Water outlet: Two
 Features:
 • Water Filtration System
 • Rotating 360-degree



OLIVIA

Color: Chrome
 Material: Brass
 Water outlet: one
 Features:
 • Sprayer Included
 • Rotating 360-degree



PROFESSIONAL

Colors: Gray & RED
 Material: SS 304
 Water outlet: One
 Features:
 • Water Filtration System
 • SS Silicone hose
 • Sprayer Included
 • Rotating 360-degree
 • Magnetic Holder Base
 • 35 mm Ceramic Cartridge



ANTIQUE

Colors: Black & Gold
 Material: SS 304
 Water outlet: One
 Features:
 • SS Hose
 • Sprayer Included
 • Rotating 360-degree



DESIGN

Color: Chrome
 Material: SS 304
 Water outlet: Two
 Features:
 • Water Filtration System
 • Rotating 360-degree
 • 35 mm Ceramic Cartridge



SMART

Color: Chrome
 Material: SS 304
 Water outlet: one
 Features:
 • Sprayer Included
 • Rotating 360-degree
 • 4 Spray Modes



NOMOS

Colors: Chrome
 Material: Brass
 Water outlet: One
 Features:
 • SS Hose
 • Sprayer Included
 • Rotating 360-degree



CRISTINA

Colors: Chrome
 Material: SS 304
 Water outlet: One
 Features:
 • SS Hose
 • Sprayer Included
 • Rotating 360-degree
 • 25 mm Ceramic Cartridge



CROSS

Color: Chrome
 Material: SS 304
 Water outlet: Two
 Features:
 • SS Silicone hose
 • Water Filtration System
 • Rotating 360-degree
 • 35 mm Ceramic Cartridge



GALILEO

Color: Chrome
 Material: Brass
 Water outlet: one
 Features:
 • SS Silicone hose
 • Sprayer Included
 • Rotating 360-degree



MAST

Colors: Chrome
 Material: Brass
 Water outlet: One
 Features:
 • SS Hose
 • Rotating 360-degree



FLUID

Color: Chrome
 Material: Brass
 Water outlet: one
 Features:
 • Sprayer Included
 • Rotating 360-degree



GALEXY

Color: Chrome
 Material: Brass
 Water outlet: One
 Features:
 • Rotating 360-degree
 • SS Silicone hose
 • Sprayer Included
 • Magnetic Holder Base



ELEGANT

Color: Chrome
 Material: Brass
 Water outlet: One
 Features:
 • Water Filtration System
 • SS Silicone hose
 • Rotating 360-degree
 • 35 mm Ceramic Cartridge



POLYTECH

- Colors: Matte Black * Chrome * Matte Chrome
- Material: SS 304
- Water outlet: One
- Features:
 - SS Hose
 - Sprayer Included
 - Rotating 360-degree
 - 35 mm Ceramic Cartridge



FLEXI

- Colors: Matte Black * Gold * Matte Chrome
- Material: Brass
- Water outlet: One
- Features:
 - Rotating 360-degree
 - SS Silicone hose



BASIC

- Colors: White * Black
- Material: SS 304
- Water outlet: One
- Features:
 - SS Hose
 - Rotating 360-degree
 - 25 mm Ceramic Cartridge



SWING

- Colors: Matte Black * Gold * Matte Chrome
- Material: Brass
- Water outlet: Two
- Features:
 - Water Filtration System
 - Rotating 360-degree
 - SS Silicone hose



Built-in Sink

“Built-In Kitchen Sinks: A Perfect Blend of Style and Efficiency”
Designed for seamless integration, our built-in kitchen sinks offer a sleek and modern aesthetic while providing maximum functionality. Crafted from high-quality materials, they ensure durability, ease of maintenance, and a flawless fit for contemporary kitchens

“



STYLUX104

Measurements (in mm)

Dimensions 1040x500 mm

Features

- Handmade sink
- Aisi 304 Stainless Steel
- Sound Deadening Technology
- Corrosion & Rust Resistant
- Easy To Clean
- Quick & Easy To Instal
- Sink depth 250 mm
- Steel thickness 2 mm
- Movable basin
- Fruit washing basket
- Rolling dish drying rack
- soap dispenser pump



PRAKTIK104

Measurements (in mm)

Dimensions 1040*450 mm

Features

- Handmade sink
- Aisi 304 Stainless Steel
- Sound Deadening Technology
- Corrosion & Rust Resistant
- Easy To Clean
- Quick & Easy To Instal
- Sink depth 250 mm
- Steel thickness 2 mm
- Movable basin
- Fruit washing basket
- Rolling dish drying rack
- Flushmount
- Undermount



VARIANT50

Measurements (in mm)

Dimensions 500x400 mm

Features

- Handmade sink
- Aisi 304 Stainless Steel
- Sound Deadening Technology
- Corrosion & Rust Resistant
- Easy To Clean
- Quick & Easy To Instal
- Sink depth 200 mm
- Steel thickness 2 mm



MASTER85

Measurements (in mm)

Dimensions 850*450 mm

Features

- Handmade sink
- Aisi 304 Stainless Steel
- Sound Deadening Technology
- Corrosion & Rust Resistant
- Easy To Clean
- Quick & Easy To Instal
- Sink depth 250 mm
- Steel thickness 2 mm
- Sink bottom grid
- Undermount



STYLUX90

Measurements (in mm)

Dimensions 900x500 mm

Features

- Handmade sink
- Aisi 304 Stainless Steel
- Sound Deadening Technology
- Corrosion & Rust Resistant
- Easy To Clean
- Quick & Easy To Instal
- Sink depth 250 mm
- Steel thickness 2 mm
- Movable basin
- Fruit washing basket
- Rolling dish drying rack
- soap dispenser pump



PRAKTIK90

Measurements (in mm)

Dimensions 900*450 mm

Features

- Handmade sink
- Aisi 304 Stainless Steel
- Sound Deadening Technology
- Corrosion & Rust Resistant
- Easy To Clean
- Quick & Easy To Instal
- Sink depth 250 mm
- Steel thickness 2 mm
- Fruit washing basket
- Rolling dish drying rack
- Flushmount
- Undermount



VARIANT40

Measurements (in mm)

Dimensions 440x440 mm

Features

- Handmade sink
- Aisi 304 Stainless Steel
- Sound Deadening Technology
- Corrosion & Rust Resistant
- Easy To Clean
- Quick & Easy To Instal
- Sink depth 200 mm
- Steel thickness 2 mm



ZOOM

Measurements (in mm)

Dimensions 1160*500 mm

Features

- Handmade sink
- Aisi 304 Stainless Steel
- Sound Deadening Technology
- Corrosion & Rust Resistant
- Easy To Clean
- Quick & Easy To Instal
- Sink depth 250 mm
- Steel thickness 2 mm
- Fruit washing basket
- Rolling dish drying rack
- right tray & left tray
- Undermount



STYLUX74

Measurements (in mm)

Dimensions 740x500 mm

Features

- Handmade sink
- Aisi 304 Stainless Steel
- Sound Deadening Technology
- Corrosion & Rust Resistant
- Easy To Clean
- Quick & Easy To Instal
- Sink depth 250 mm
- Steel thickness 2 mm
- Fruit washing basket
- Rolling dish drying rack
- soap dispenser pump



PRAKTIK84

Measurements (in mm)

Dimensions 840*450 mm

Features

- Handmade sink
- Aisi 304 Stainless Steel
- Sound Deadening Technology
- Corrosion & Rust Resistant
- Easy To Clean
- Quick & Easy To Instal
- Sink depth 250 mm
- Steel thickness 2 mm
- Fruit washing basket
- Rolling dish drying rack
- Flushmount
- Undermount



VARIANT20

Measurements (in mm)

Dimensions 400x200 mm

Features

- Handmade sink
- Aisi 304 Stainless Steel
- Sound Deadening Technology
- Corrosion & Rust Resistant
- Easy To Clean
- Quick & Easy To Instal
- Sink depth 200 mm
- Steel thickness 2 mm



LINE PURE116

Measurements (in mm)

Dimensions 1160*500 mm

Features

- Handmade sink
- Aisi 304 Stainless Steel
- Sound Deadening Technology
- Corrosion & Rust Resistant
- Easy To Clean
- Quick & Easy To Instal
- Sink depth 250 mm
- Steel thickness 2 mm
- Fruit washing basket
- Rolling dish drying rack
- right tray & left tray
- Undermount



KAMBINO98

Measurements (in mm)

Dimensions 980x500 mm

Features

- Handmade sink
- Aisi 304 Stainless Steel
- Sound Deadening Technology
- Corrosion & Rust Resistant
- Easy To Clean
- Quick & Easy To Instal
- Sink depth 250 mm
- Steel thickness 12 mm
- Movable basin
- Fruit washing basket
- Rolling dish drying rack
- soap dispenser pump
- Flushmount
- Undermount



KAMBINO88

Measurements (in mm)

Dimensions 880*500 mm

Features

- Handmade sink
- Aisi 304 Stainless Steel
- Sound Deadening Technology
- Corrosion & Rust Resistant
- Easy To Clean
- Quick & Easy To Instal
- Sink depth 250 mm
- Steel thickness 12 mm
- Movable basin
- Fruit washing basket
- Rolling dish drying rack
- soap dispenser pump
- Flushmount
- Undermount



COPPER80

Measurements (in mm)

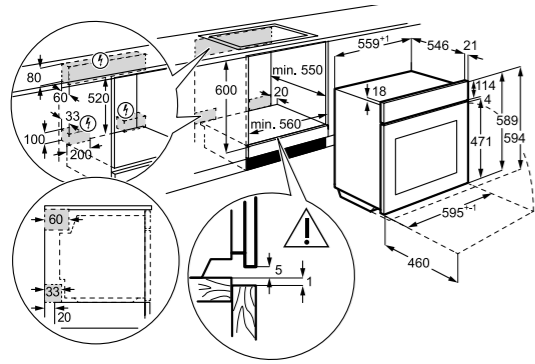
Dimensions 800x500 mm

Features

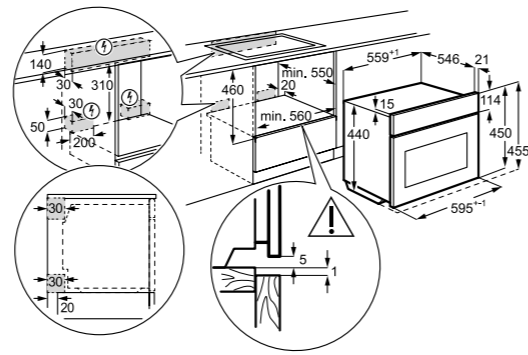
- Handmade sink
- Aisi 304 Stainless Steel
- Sound Deadening Technology
- Corrosion & Rust Resistant
- Easy To Clean
- Quick & Easy To Instal
- Sink depth 250 mm
- Steel thickness 12 mm
- Fruit washing basket
- Rolling dish drying rack
- soap dispenser pump
- Flushmount



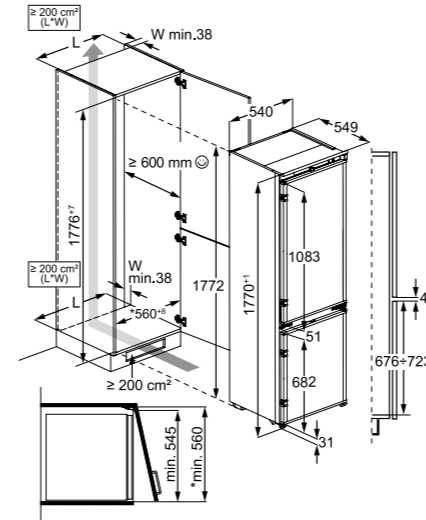
OVENS



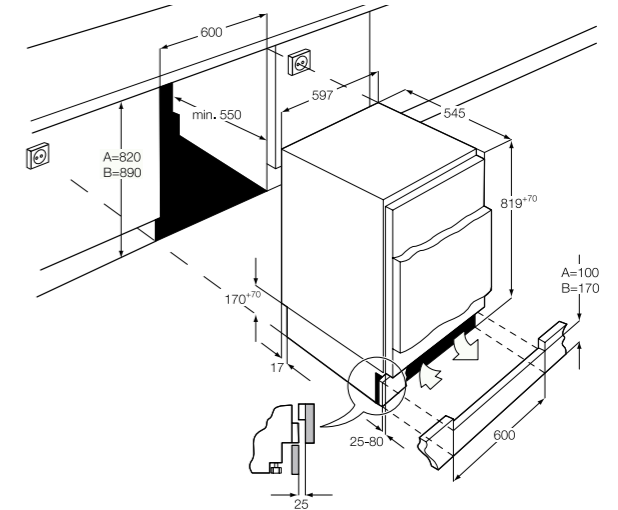
COMBI



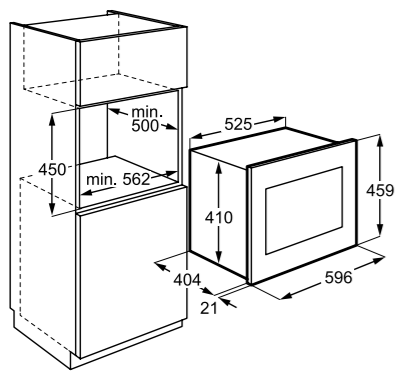
MBRC 430 GE



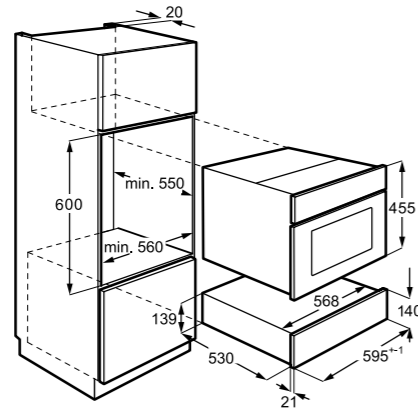
MBR 110 GE



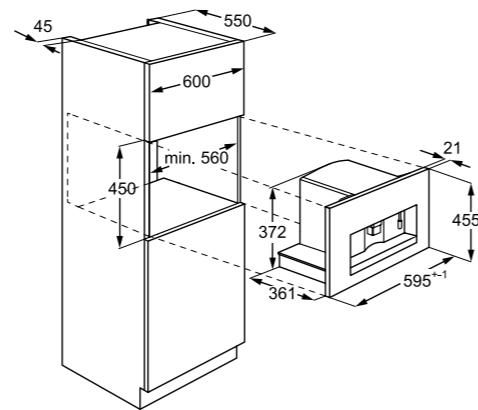
MGBM 26XGE - MGBM 2808XGE



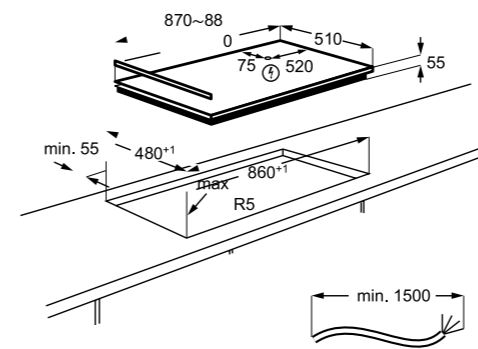
WARMING DRAWERS



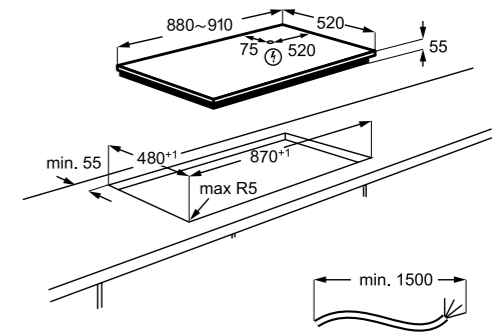
COFFEE MAKER



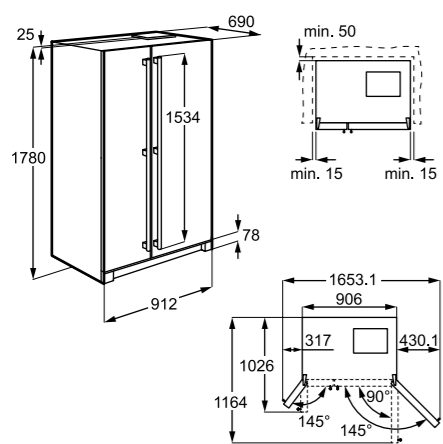
MGBH 915 GB 81 GE - MGBH 915 GB 82 GE
MGBH 915 GB 83 GE - MGBH 915 XS 51 GE



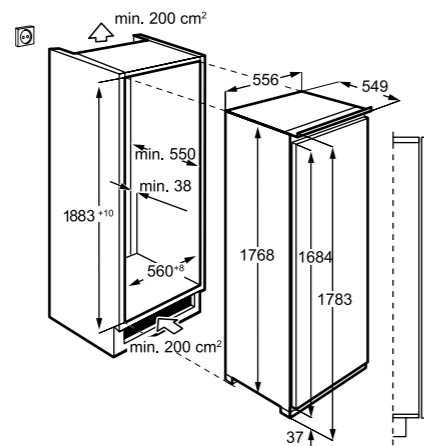
MGBH 905 GB 88 GE - MGBH 905 GB 75 GE
MGBH 915 XS 52 GE - MGBH 915 XS 53 GE



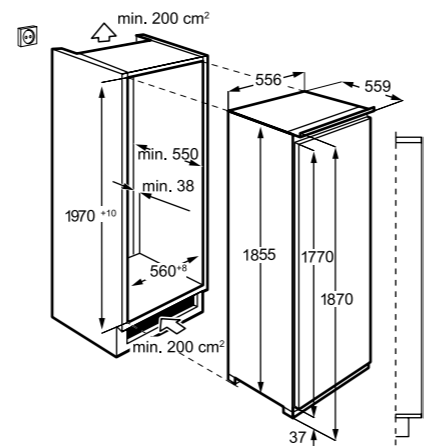
SIDE BY SIDE



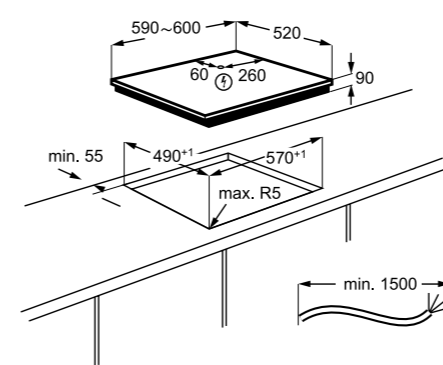
MBF 250 GE - MBR 350 GE



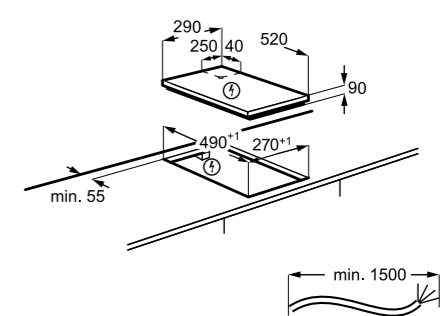
MBF 260 XGE - MBR 360 XGE



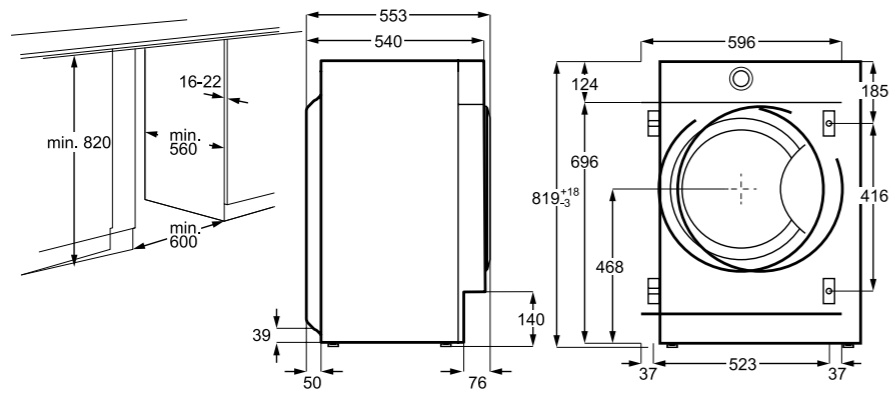
MGBH 604 GB 86 GE - MGBH 604 XS 29 GE



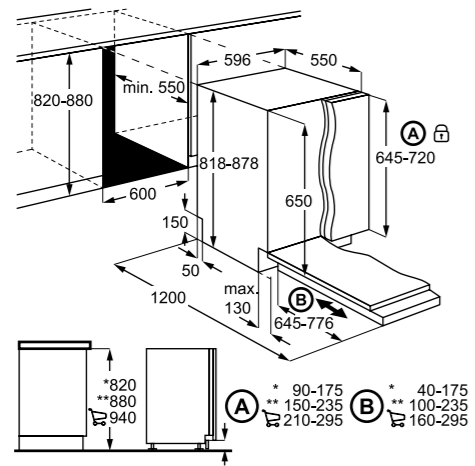
MGBH 302 GB 83 GE - MGBH 302 XS 21 GE



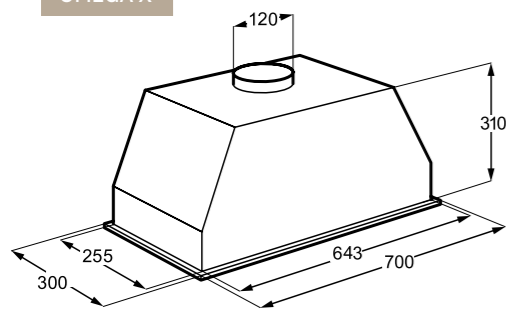
WASHING MACHINE



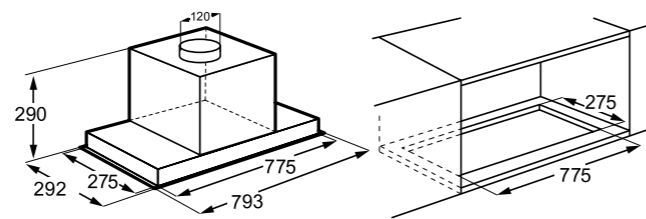
DISHWASHER



OMEGA X



DC DUAL - KONVEX



A TOUCH OF LUXURY



WWW.MONOGRAMPL.COM
info@monogrampl.com

[in](#) monogramappliances
[p](#) monogram_appliances

601, Escape Tower, Business Bay Dubai,
UAE

“

This Catalogue is for using
in United Arab Emirates.