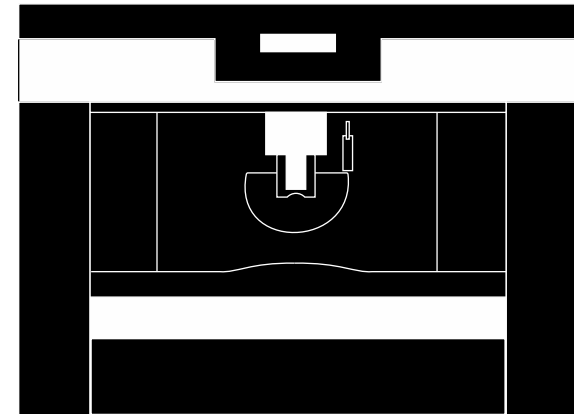


		delivering two coffees
Coffee does not come out of one of the spouts	The spouts are blocked	Clean the spouts with a toothpick
Water comes out of the spouts instead of coffee(use coffee powder)	The pre-ground coffee may be blocked in the funnel (A14)	Clean the funnel (A14) with a wooden or plastic fork, clean the inside of the machine

MONOGRAM

Built In Coffee Machine Instruction Manual



MGBCO1XGE

		performed as soon as possible
FILL BEANS	The coffee beans have run out	Fill beans to container
Add more powder	The powder not enough to make coffee	Use spoon to add powder
Clean brew	The inside of the appliance is very dirty	Clean the inside of the appliance thoroughly, as described in the section "Cleaning and maintenance". If the message is still displayed after cleaning, contact a service centre

TROUBLESHOOTING

Below is a list of some of the possible malfunctions.

If the problem cannot be resolved as described, contact Customer Services.

PROBLEM	POSSIBLE CAUSE	REMEDY
The coffee is not hot	The cups were not preheated	Warm the cups by rinsing them with hot water
	The infuser has cooled down because 2/3 minutes have elapsed since the last coffee was made	Before making coffee ,heat the infuser by press rinse
The coffee is not creamy enough	The coffee is ground too coarsely	Turn the grinding adjustment knob (A6) one click anticlockwise towards small symbol while the coffee mill is in operation
	Wrong type of coffee	Use a type of coffee for espresso coffee makers
The coffee is delivered too slowly or a drop at a time	The coffee is ground too finely	Turn the grinding adjustment knob (A6) one click anticlockwise towards big symbol while the coffee mill is in operation
		Continue one click at a time until coffee delivery is satisfactory
		The effect is only visible after delivering two coffees
The coffee is delivered too quickly	The coffee is ground too coarsely	Turn the grinding adjustment knob (A6)one click anticlockwise towards small symbol while the coffee mill is in operation
		The effect is only visible after

as follows:

The green and yellow wire must be connected to the terminal in the plug marked with the letter E or the earth symbol or coloured green or green and yellow.

The blue wire must be connected to the terminal marked with the letter N or coloured black.

The brown wire must be connected to the terminal marked with the letter L or coloured red.

DISPLAYEO MESSAGE

DISPLAYEO MESSAGE	POSSIBLE CAUSE	REMEDY
FILL water	The water tank is empty or positioned incorrectly	Fill the tank with water and / or insert it correctly , pushing it as far as it will go
Fault 3	The grinding is too fine and the coffee is delivered too slowly	Turn the grinding adjustment knob one click clockwise towards big symbol
	The machine cannot make coffee there is air in the hydraulic circuit.	Running "self check" Program and can repair the machine
EMPTY GROUND	The total number of you has Make coffee is reach to 15	Extract the drip tray and empty the grounds container and clean. then put to original position..
		Important: when removing the drip tray the grounds container MUST be emptied, even if it is not completely full.
Tray Missing	The tray not insert the machine or not in right position	Put the tray to original position
Fill powder	The "pre-ground Coffee" function has been selected without placing any pre-ground coffee in the funnel	Extract the appliance and place pre-ground coffee in the funnel by use spoon
	The funnel (A14) is blocked	Empty the funnel with the help of a knife as described in the section "Cleaning the pre-ground coffee funnel"
Decalcify ready	The machine must be descale	The descaling procedure described in the "Descaling" section needs to be

INDEX

INTRODUCTION.....	2
Symbols used in these instructions.....	2
Safety.....	3
Fundamental safety warnings.....	3
Designated use.....	4
Instructions.....	5
DESCRIPTION.....	6
Description of the appliance.....	6
Description of control panel.....	6
PRELIMINARY CHECKS.....	7
Controls after transport.....	7
Installing the appliance.....	7
Connecting the appliance.....	7
AUTOMATIC CUP TRAY LIGHT.....	8
BUILT-IN INSTALLATION.....	8
USING THE APPLIANCE FOR THE FIRST TIME.....	13
MAKING COFFEE USING COFFEE BEANS.....	14
ADJUSTING THE COFFEE MILL.....	16
MAKING ESPRESSO COFFEE WITH PRE-GROUND COFFEE (INSTEAD OF BEANS).....	17
MAKING CAPPUCCINO.....	18
CLEANING AND MAINTENANCE.....	22
Cleaning the coffee maker.....	22
Cleaning the coffee grounds container.....	22
Cleaning the drip tray.....	23
Cleaning the water tank.....	23
Cleaning the spouts.....	23
Cleaning the pre-ground coffee funnel.....	23
Cleaning the inside of the coffee maker.....	24
CHANGING AND SETTING MENU PARAMETERS.....	26
Setting the time.....	27
Setting auto-start time----unit on.....	27
CHANGING THE LANGUAGE.....	29
TURNING THE APPLIANCE OFF.....	29
TECHNICL SPEIFCATION.....	30
DISPOSAL.....	30
DISPLAYEO MESSAGE.....	32
TROUBLESHOOTING.....	33

INTRODUCTION

Thank you for choosing the automatic coffee and cappuccino maker.

We hope you enjoy using your new appliance.

Take a few minutes to read these instructions.

This will avoid all risks and damage to the machine.

Symbols used in these instructions

Important warnings are identified by these symbols.

It is vital to respect these warning:



Failure to observe the warning could result in possibly life threatening injury from electric shock.



Failure to observe the warning could result in injury or damage to the appliance.



Failure to observe the warning could result in scalds or burns.



This symbol identifies important advice or information for the user.

Troubleshooting and repairs

If this does not resolve the problem or you require further information, you should consult Customer Service by calling the number given on the “Customer Service” sheet.

If your country is not among those listed on the sheet, call the number given in the guarantee.

If repairs are required, contact Custom Services only.

The addresses are given in the guarantee certificate provided with the machine.

special centre.

Disposing of the unused appliance correctly avoids damage to the environment and a risk to health.

For more information on disposing of the unused appliance, contact the local administration, the waste disposal department or the shop where the appliance was bought.

ELECTRICAL CONNECTION

A). If your appliance comes fitted with a plug, it will incorporate a 13 Amp fuse. If it does not fit your socket, the plug should be cut off from the mains lead, and an appropriate plug fitted, as below.

WARNING: Very carefully dispose of the cut off plug after removing the fuse: do not insert in a 13 Amp socket elsewhere in the house as this could cause a shock hazard. With alternative plugs not incorporating a fuse, the circuit must be protected by a 15 Amp fuse. If the plug is a moulded-on type, the fuse cover must be re-fitted when changing the fuse using a 13 Amp Asta approved fuse to as 1362. In the event of losing the fuse cover, the plug must NOT be used until a replacement fuse cover can be obtained from your nearest electrical dealer. The colour of the correct replacement fuse cover is that as marked on the base of the plug.


B). If your appliance is not fitted with a plug, please follow the instructions provided below:

WARNING – THIS APPLIANCE MUST BE EARTHED IMPORTANT


The wires in the mains lead are coloured in accordance with the following code:

Green and yellow:	Earth
Blue:	Neutral
Brown:	Live

As the color of the wires in the mains lead may not correspond with the coloured markings identifying the terminals in your plug, proceed

 **Danger of burns!** During rinsing, a little hot water flows from the coffee spouts .avoid contact with splashes of water.

To turn the appliance off, keep on press ON/OFF/button (B1).The appliance will turn off at any state.

 **NB!** If the appliance is not used for an extended period, place the main switch on the back of the appliance in the 0 position (A5).

TECHNICAL SPECIFICATION

Voltage: 220–240 V ~ 50/60 Hz max.10A

Absorbed power: 1300–1500 W

Pump max Pressure: 20 bars

Water tank capacity: 1.8 litre

Size LxHxW: 594x454x474 mm

Net Weight 23 kg

The appliance complies with the following EC directives:

- Low Voltage Directive 2006/95/EC and subsequent amendments.
- EMC Directive 2004/108/CE and subsequent amendments.

Materials and accessories coming into contact with food conform to EEC regulation 1935/2004.

DISPOSAL


Electrical appliances must not be disposed of as household waste.

Appliances with this symbol are covered by European Directive 2002/96/EC.

All unused electric and electronic appliances must be disposed of separately from household waste by taking them to state authorized


Safety

Fundamental safety warnings

 **Danger!** This is an electrical appliance and may cause electric shock.

You should therefore respect the following safety warnings :

- Never touch the appliance with damp hands or feet.
- Never touch the plug with damp hands.
- Make sure the socket used is freely accessible at all times, enabling the appliance to be unplugged when necessary.
- To disconnect the appliance completely ,place the main switch (at the right side of the appliance) in the 0 position.
- If the appliance is faulty do not attempt to repair .Turn it off using the main switch (A5) unplug from the mains socket and contact customer services.
- If the plug or powder cable is damaged, it must be replaced by the manufacturer, its service agent or similarly qualified persons in order to avoid a hazard.

 **Important!** Keep all packaging (plastic bags, polystyrene foam) away from children.

Important!

The appliance is designed and produced for domestic use only. The appliance is not intended for use by person (including children) with reduced physical sensory or mental capabilities or lack of experience and knowledge unless they have been given supervision or instruction concerning use of the appliance by a person responsible for their safety, Children must be supervised to ensure they do not play with the appliance.

Do not immerse this machine in water

⚠ Important! Do not grasp the coffee maker when it is out of the cabinet. Do not rest recipients containing liquids or inflammable or corrosive materials on top of the appliance. Place the accessories required to prepare the coffee (the measure for example) in the special holder. Do not rest large objects which could obstruct movement or unstable objects on the appliance.

Important! Never make drinks, hot water or steam when the appliance is extracted. Always make sure the appliance is inactive before extracting it. **Failure to observe this precaution could lead to damage to the appliance**. The only exception is adjusting the coffee mill which must be done with the machine out (see the section “Adjusting the coffee mill”).

⚠ Danger of burns! This appliance produces hot water and steam may form while it is in operation. Avoid contact with splashes of water or hot steam. Avoid touching hot surfaces when the appliance is in use .

🔧 N.B.: Use original or manufacturer recommended accessories and spare parts only.

Designated use

This appliance is designed and made to prepare coffee and heat drinks. All other use is considered improper. This appliance is not suitable for commercial use. The manufacturer is not liable for damage deriving from improper use of the appliance. This appliance can be installed in combination with a built-in oven if the latter is fitted with a cooling fan at the rear (maximum oven power: 3 kW).

- Purchase a special strip then deep fully in the water for a few seconds, Then remove and wait about 30 seconds, until it changes color and forms red squares, according the color gauge you can Read out the water hardness level.

And you can setting the water hardness level according to; the strip value .

The coffee maker is now programmed to provide the descale warning when necessary based on the actual hardness of the water.

How to operation?

- in “ready” state, Press the B8 button ,select the “menu” and Press the B8 button , and enter next menu , select” water hardness” and Press the B8 button -----now you select level 1 level 2 level 3 level 4 level 5 level 6..... according the strip color to set” level * “ ,the defaults is level

TURNING THE APPLIANCE OFF

after set the time you can also set the automatic turn off this machine . same operation as “auto on”.

- in “ready” state, Press the B8 button ,select the “auto off” and Press the B8 button , you can select “30min” “60min” “90min” select what you need and Press the B8 button this machine can automatic turn off after the setting time .

Emptying :

when This machine long time not to use or to transport another area we suggest to use this function

follow as :

- in “ready” state, Press the B8 button ,select the “menu” and Press the B8 button , and enter next menu , select” maintain” and Press the B8 button enter next menu, select” empty ready” and Press the B8 button

now the machine will display “remove tank” , after remove tank and Press the B8 button ,this machine is start “emptying” program, and screen display “emptying”.....

About wait for a moment, the buzzer run 3 times and screen become black, That mean “emptying” program has finished.

Notice: even the machine has emptying ,the next start will automatic to Run :”system filling” program----the screen display ”open

tap”, Press the B8 button the screen display ”system filling”---pump

is work and water can be flow in A3 hole.....

Setting water hardness

The descale message is displayed after the appliance has been operated for a factory set period of time calculated on the basis of the maximum quantity of lime scale which may be contained in the water used.

The operating period can be extended if required .making descaling less frequent by programming the machine on the basis of the real lime content in the water used.

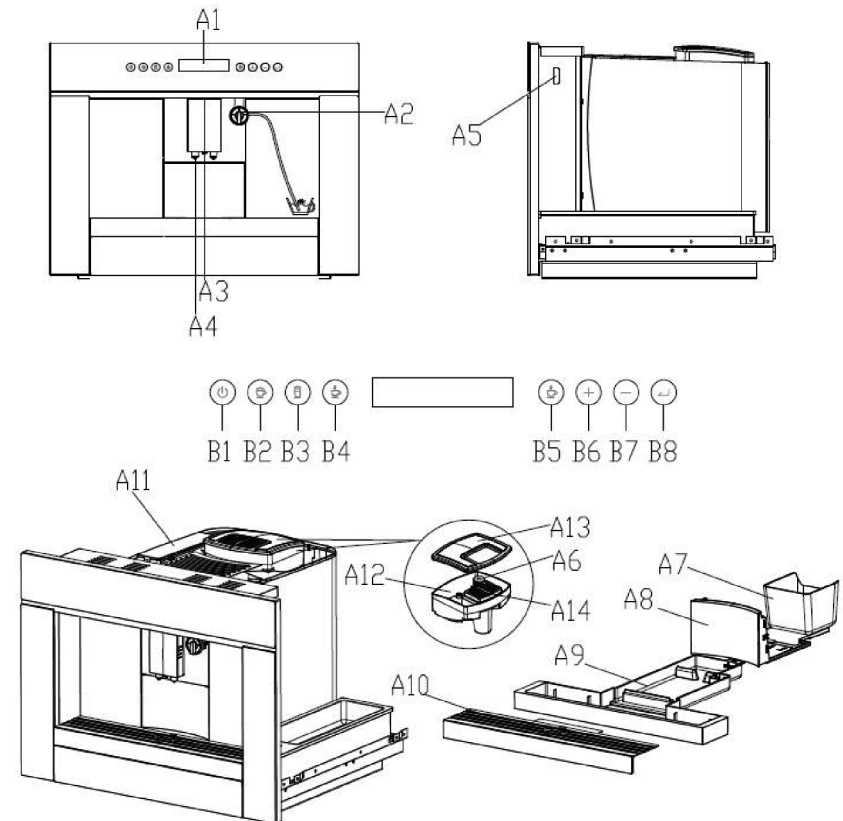
Proceed as follows:

Instructions

Read these instructions carefully before using the appliance.

- Save these instructions. If the appliance is passed to other persons, they must also be provided with these instructions.
- Failure to follow these instructions may result in burns or damage to the appliance.

The manufacturer is not liable for damage deriving from failure to respect these instructions.



DESCRIPTION

Description of the appliance

- A1. Display screen
- A2. Milk cream unit
- A3. Cream nozzle
- A4. Coffee nozzle
- A5. Main switch
- A6. Adjustable mill knob
- A7. Coffee grounds container
- A8. Load tray
- A9. Drip tray
- A10. Metal drip tray
- A11. Tank
- A12. Coffee bean container.
- A13. Coffee bean cover
- A14. Pre-ground coffee funnel

Description of control panel

There are 8 buttons on the panel. This is indicated in brackets in the description

- B1. on/off
- B2. Cappuccino
- B3. latte
- B4. espresso
- B5. coffee
- B6. “+” button
- B7. “-” button
- B8. Pause/enter

Setting the time—current time

To set the time, proceed as follows:

- in “ready” state, Press the B8 button ,select the “display” and Press the B8 button to enter next select----CC/OZ time press “+”key or “-“key let LCD display “time” ,press B8 and LCD may display “--/-- “, hours number flash and next press “+”key or “-“key to we want to set of hour.

Press B8 that mean has finish set hour .Now LCD display “ **/-- “---the minute number is flash and press “+”key or “-“key to we want to set minute, Press “enter” key that mean has finish set minute. Now this machine may run in this set time

In this sate you can also change the unit---- CC/OZ, same operation as up .if you select CC, in screen the output coffee may display **CC....

Setting auto-start time----auto on

This function mean the machine will come on automatically to be ready for use.

- Make sure the time has been set as described in the previous chapter
- You can set the auto-start time same as operation as the set the “time” .
- in “ready” state, Press the B8 button ,enter “menu” select the “auto on” and Press the B8 button , the next operation is the same as “time”.
- turn off this machine, notice not turn off knock switch(A5) and this machine can automatic start in setting time(auto on)

7: after 10 minute, this machine display “change water” -- extract water tank to add pure water and let tank to original position ,this machine can automatic “rinse” function , after rinse the machine come back to “ready” state. that mean this “descale” is finish.

⚠ Important! FAILURE TO DESCALE THE APPLIAPJCE REGULARLY INVALIDATES THE GUARANTEE.

We can also manual operation to start this program, follow as:

1: press B8 button to enter “menu” and next into “information”, press B8 button next to enter “number of use”, press B8 button next to select “descale”,

This machine can display “descale ready”, press B8 button to start

2: press B8 button to start Cleaning the infuser program ,next operation is the same as up write .

CHANGING AND SETTING MENU PARAMETERS

After the appliance to be “ready” select “menu” or select “display” we can use the internal menu to modify the following parameters and functions:

- time
- Unit on
- Unit off
- Water hardness
- Cups statistics
- Language

PRELIMINARY CHECKS

Controls after transport

After removing the packaging, make sure the product is complete and undamaged and that all accessories are present. Do not use the appliance if it is visibly damaged. Contact Customer Services.

Installing the appliance

⚠ Important! When installing the appliance. respect the following safety warnings:

- Installation must be performed by a qualified professional in compliance with legislation in force in the country of installation (see Built-in installation).
- The packing elements (plastic bags, polystyrene foam, etc.) should be kept out of reach of children as they are a Safety hazard.
- Do not install the appliance in rooms where the temperature may drop to 0° C or lower (the water in the appliance could freeze and cause damage).
- You should set the water hardness as soon as possible following the instructions in the "SETTING WATER HARDNESS" chapter

Connecting the appliance

⚡ Danger! Check that the mains power supply voltage corresponds to the value indicated on the appliance rating plate.

Connect the appliance to an efficiently earthed and correctly installed socket with a minimum current rating of 10A only.

If the power socket does not match the plug the appliance, have the socket replaced with a suitable type by a qualified professional.

To comply with safety directives, an rock switch with a minimum contact distance of 3mm must be installed.

Do not use multiple sockets or extensions.

To learn to use the appliance correctly, the first time you use it follow

the detailed instructions in the following paragraphs.

⚠ Important! Safety cut out devices must be included in the mains power supply in compliance with the installation regulations in the country concerned.

AUTOMATIC CUP TRAY LIGHT

When the appliance is work on. the lights (near coffee spout) automatically illuminate the spout and cup tray..

⚠ Important! Do not look at the lights directly or using an optical instrument.

BUILT-IN INSTALLATION

Verify the minimum measure required for correct installation of the appliance.

The coffee maker must be installed in a column and the column must be firmly fixed to the wall with commercially available brackets.

Important:

- Important: all installation or maintenance operations must be performed with the appliance disconnected from the mains electricity supply.
- Kitchen furniture in direct contact with the appliance must be heat resistant (<65 °C).
- To guarantee correct ventilation, leave a gap at the bottom of the cabinet (see measurements in figure).

Descaling

⚠ Important! Descaler contains acids which may irritate the skin and eyes.

It is vital to respect the manufacturer's safety warnings given on the descaler pack and the warning relating to the procedure to follow in the event of contact with the skin and eyes.

📖 N.B.! Use the descale recommended by the manufacturer only. Use of other descalers invalidates the guarantee.

Failure to descale the appliance as described also invalidates the guarantee.

Over time, constant heating up of the water used to make the coffee leads to limescale building up in the inner circuits of the appliance. When “decalcify ready” is displayed, the machine requires descaling. this state can also be make Coffee, steam……, but we suggest customer to do this program as soon as possible.

Proceed as follows: When machine display “decalcify ready” ,

1:Press B8 button , this machine display “30 min” ,

2:Press B8 button , this machine display “empty tray” ,

3:extract drip tray , this machine display “tray missing” ,

4:if drip tray come back , this machine display “add descaling fluid”

5: extract water tank to add descaling fluid, let tank to original position

And Press B8 button , that mean can automatic descale program ...

this machine display “descaling”

6:after 20 minute, this machine display “change water” --- extract

water tank to add pure water and let tank to original position And Press

B8 button, this machine also display “descaling”

Cleaning the inside of the coffee maker

1. Check regularly (about once a week) that the inside of the appliance is not dirty.

If necessary, remove coffee deposits with a knife and a sponge.
Remove the residues with a vacuum cleaner.

Cleaning the infuser—clean brew

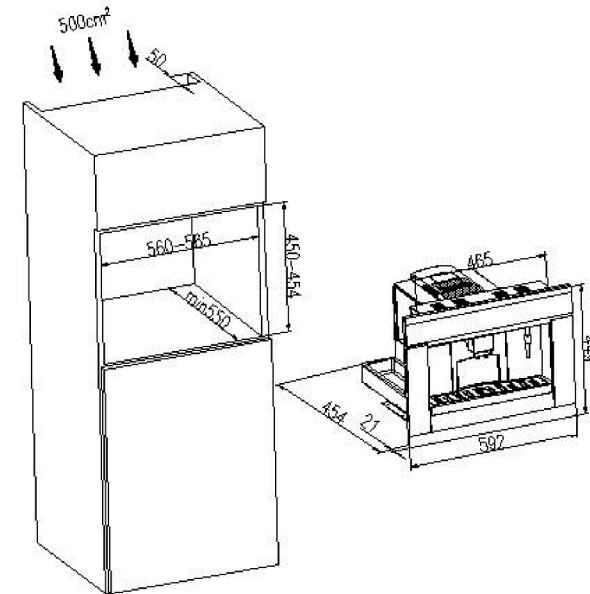
When you make total 300 cup of coffee, LCD may display “clean brew”, this state can also be make Coffee, latte ,……, but we suggest customer to do this clean program as soon as possible.

Proceed as follows:

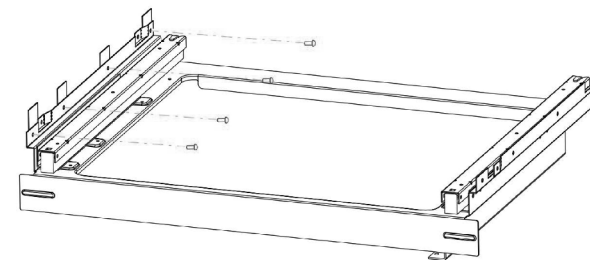
- 1: when machine display “clean ready” ,
- 2: keep on press B8 button until machine display “empty ready”
- 3: extract the drip tray and pull all waste water and let it go back
- 4: then machine display “add tablet” , press B8 button, that mean start Clean program , machine display “cleaning”
- 5:after 10 minute this program will finish ,next this machine come back to “ready” state .

We can also manual operation to start this program, follow as:

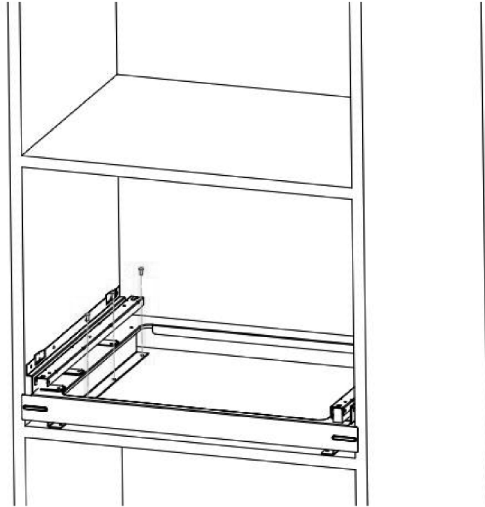
- 1: press B8 button to enter ”menu” and next into “information “, press B8 button next to enter “number of use” , press B8 button next to select “clean” ,This machine can display “clean brew” , press B8 button to start
- 2: press B8 button to start Cleaning the infuser program ,next operation is the same as up write .



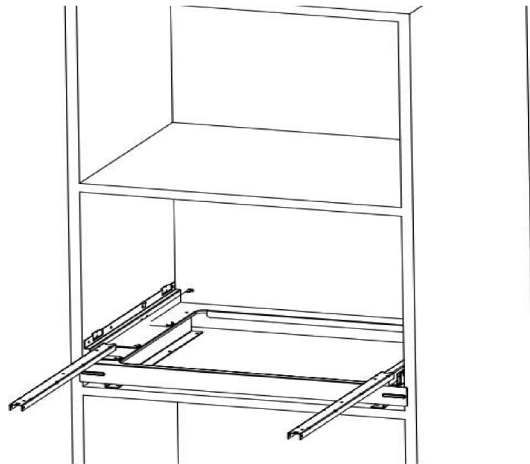
Check the cabinet size is fit this picture before install.



Step 1: install guide connect bracket----- fix with the screws if use side install method



Step2: fix with the screws. If use button install method



Step 3: extract this guide to outside-----extract completely.

could overflow from the edge and seep inside or around the coffee maker .This could damage the appliance and cabinet.

Cleaning the drip tray

This machine will automatic alarm by waste water in the drip tray, and machine will display “empty Tray” ,that mean must to pull the waste water

1. Extracted the drip tray.
2. Remove the grounds container (A7).
3. Take out metal drip tray and bracket.
4. Wash the drip tray.

Cleaning the water tank

1. Clean the water tank (A11) regularly (about once a month) with a damp cloth and a little mild washing up liquid.
2. Clean to remove all washing up liquid residues, then rinse the water tank thoroughly.

Cleaning the spouts

1. Clean the spouts (A4) periodically using a sponge or cloth.
2. Check regularly that the holes in the coffee spout are not blocked. If necessary, use a pin to poke the hole and clean it.

Cleaning the pre-ground coffee funnel

Check regularly (about once a month) that the pre-ground coffee funnel (A14) is not blocked.

If necessary, remove coffee deposits with a knife.

⚠ Danger! Before performing any cleaning operations the machine must be turned off by shut off the main switch (A5) and unplugged from the mains power supply.

Never immerse the coffee maker in water.

“rinsing” last add a operation---clean milk unit.....

CLEANING AND MAINTENANCE

Before performing any cleaning operations, leave the machine to cool down completely and unplug from the mains power supply. Never immerse the coffee maker in water. It is an electrical appliance. Do not use solvents or abrasive detergents to clean the coffee maker .A soft damp cloth will suffice. Never wash any of the components of the coffee maker in the dishwasher.

Cleaning the coffee maker

The following parts of the machine must be cleaned regularly:

- Coffee ground container (A7).
- Drip tray (A9).
- Water tank (A11).
- Coffee spouts (A4),
- steam nozzle (A3)
- Pre-ground coffee funnel (A14).

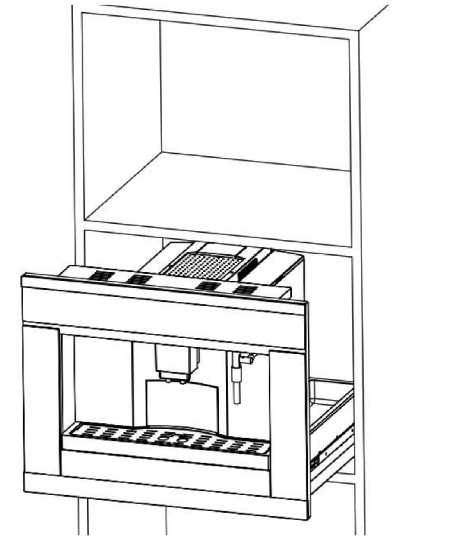
Cleaning the coffee grounds container

When "EMPTY GROUND" is displayed. the ground container must be emptied and cleaned.

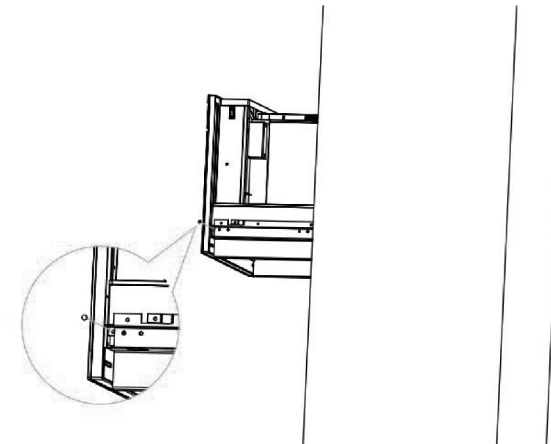
Until the ground container has been cleaned .the appliance continues to display ”empty ground” and coffee cannot be made. To clean , extract the drip tray (A9) , then also sent the ground container outside empty and clean.

Empty the ground container and clean thoroughly to remove all residues left on the bottom.

⚠ Important! If the drip tray is not emptied regularly, the water

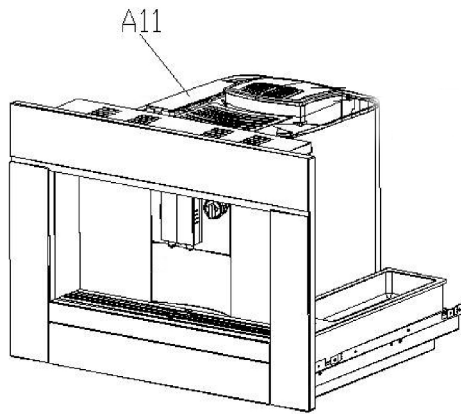


Step 4: put coffee machine in the guide.

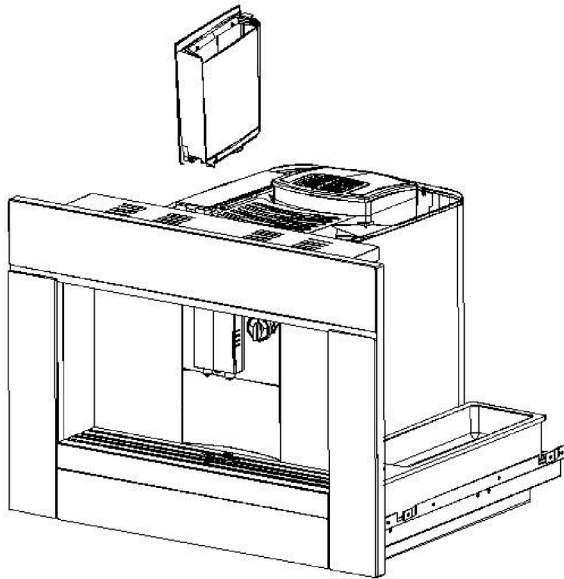


Install 2 screw in both side .

Step5: Extracted this machine to outside. Open the coffee bean cover to add coffee beans in container.



Step 6: open the tank cover in left side A11.



6: during the hot cream finish machine will display “press rinse” ,
 press B8 button the machine will automatic to clean the hot
 cream pipe, after this program the machine will go back to “ready”
 state.

**Hot milk ----same operation as hot cream , only different is
 Konb position let in Hot milk ,** when the machine in “ready” state,
 press B8 button once ,and then enter select ---use powder hot
 milk hot cream..... select hot milk instead of hot cream ,other
 operation is the same as hot cream.....

RINSE function :

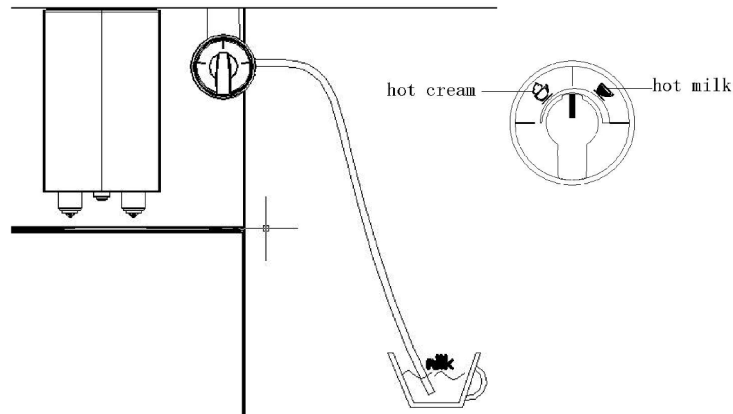
when the machine in “ready” state, press B8 button quickly twice then
 this machine automatic to run “rinse” program, and screen
 display “rinsing”,after rinse the machine go back to “ready” state.

Notice: when you press B8 button quickly twice the machine no
 running that mean in hot temperature , press B8 button again to start
 “cooling down” program---, and screen display “cooling down”,
 after this program the machine automatic to run “rinse” program.....

If you has just make hot milk hot cream cappuccino latte , the

MAKING hot milk or hot cream-----use steam function

Make sure the milk is add in cup as this picture show:



We can also use steam function to make **hot cream** operation such as:

- 1:First let the knob into right position –see up picture
- 2:when the machine in “ready” state, press B8 button once ,and then enter select ---use powder hot milk hot cream.....
- 3:select “hot cream” press B8 button then machine display “steam heating” , after steam heating has ready the machine will spray Steam
- 4:put the silicone pipe deep in milk that mean to make hot cream....
- 5:you can also adjust the circle time to press “+” or “-“ key that mean the circle time is increase or reduce 1 second.

Step 7; take out the tank and add pure water in, then insert in original position , put this machine to Built in cabinet, put the plug in supply and turn on main switch (A5) you can use this machine.
If the coffee maker is installed over a warmer drawer (500W max.), use the top surface of this as a reference to position the rails.
Fix the power cable with the clip to avoid it tangling when the appliance is inserted or extracted.
The power cable must be long enough to allow the appliance to be extracted from the cabinet to fill the coffee beans container.
The appliance must be earthed In compliance with legislation.
Electrical connections must be performed by a qualified electrician in compliance with the manufacturer's instructions and legislation in force in the country of installation.

USING THE APPLIANCE FOR THE FIRST TIME

- The machine has test in factory therefore completely normal for there to be traces of coffee in the mill.
- You should set water hardness as soon as possible following the instructions in the “Setting water hardness” chapter.
Connect the appliance to the mains electricity supply and turn on the main switch (A5).

Press on/off button to turn on this machine. The machine display “self check” ,and next display “heating”

Wait for some time ,this machine will automatic start “rinsing”

When rinse program finish , this machine will display “ready” .

When this machine reach this state , that mean all function can be

done----can be make coffee, espresso, cappuccino

⚠ Important! To prevent malfunction, never introduce pre-ground coffee, freeze dried coffee, caramelized beans or anything else which could damage the appliance, The coffee maker is for normal use.

🔍 N.B.! Each time the coffee maker is turned on by using the main switch (A5).

MAKING COFFEE USING COFFEE BEANS

1. The appliance is display “ready” , you can select function button
2: Press “coffee” key ,then this machine can start working---grind coffee bean, follow by the brew system can running ,next will output Coffee----from A4 hole

3:You can also adjust output coffee volume----press “+” key Or “-“ key , touch once that mean will increase or reduce 5 CC coffee

4:You can also change these set: aroma, temperature ,but you must Change the setting before make coffee.

How to change the aroma ?---when machine display “ready”, Press B8 button, machine will display “use powder”, press “+” key Or “-“ key, select “aroma” menu, Press B8 button ,you can select ----mild normal strong , press “+” key Or “-“ key until display you want to set, then Press B8 button to finish the aroma setting, next select “exit” to come back to “ready” state.....

MAKING LATTE –use coffee beans

- use a special accessory ----milk cream unit, put milk into cup—see page 20 ,when machine in “ready” state
- 1: press B3 button----this machine automatic to make latte...
First grind coffee beans ,then brew system working , next begin steam heating ---machine will display “steam heating” ,after steam heating finish , the machine will spray steam and screen display “hot cream **s”, after hot cream finish this machine automatic to cooling down ,next will output coffee from A4
Notice: make latte the waiting time is longer then make cappuccino
- 2: you can also adjust the hot cream time during spray hot cream, press “+” key or “-“ key that mean the circle time will increase or Reduce 1 second....
- 3: you can also adjust the output coffee during coffee is flow ,press “+” key or “-“ key that mean the output coffee will increase or Reduce 5 CC....
- 4: you can also adjust aroma about latte---before make latte ,first to setting aroma ----see page 14, Same operation .
- 5: every latte is finish this machine will display “press rinse”
press B8 button the machine will automatic to clean the hot cream pipe, after this sate the machine will go back to “ready” state.

NOTE 4: Introduce only pre-ground coffee for espresso coffee machines into the funnel. Never fill with coffee beans, freeze dried coffee or other substance that could damage the appliance.

NOTE 5: If more than one measure of pre-ground coffee is used and the funnel clogs, push the coffee down with a knife then remove and clean the infuser and machine as described in the “Cleaning the infuser chapter” .

MAKING CAPPUCCINO –use coffee beans

- use a special accessory ----milk cream unit, put milk into cup—see page 20 ,when machine in “ready” state :
- 1: press B2 button----this machine automatic to make cappuccino
First grind coffee beans ,then brew system working , next begin steam heating ---machine will display “steam heating” ,after steam heating finish , the machine will spray steam and screen display “hot cream **s”, after hot cream finish this machine automatic to cooling down ,next will output coffee from A4
- 2: you can also adjust the hot cream time during spray hot cream, press “+” key or “-“ key that mean the circle time will increase or Reduce 1 second....
- 3: you can also adjust the output coffee during coffee is flow press “+” key or “-“ key that mean the output coffee will increase or Reduce 5 CC....
- 4: you can also adjust aroma about cappuccino---before make cappuccino ,first to set aroma ----see page 14, Same operation .
- 5: every cappuccino is finish this machine will display “press rinse”
press B8 button , the machine will automatic to clean the hot cream pipe, after this program the machine will go back to “ready” state.

How to change these temperature ? ---same operation as aroma
First select “menu” , Press B8 button to enter next select “temperature” You can choose “normal” or “high” , then Press B8 button finish the temperature setting.....

NOTE 1:If the coffee is delivered a drop at a time or not at all. turn the grinding adjustment knob(A6) one click clockwise (see 'Adjusting the coffee mill "). Proceed one click at a time until coffee delivery is satisfactory.

NOTE 2: if the coffee is delivered too fast and the cream is not satisfactory, turn the grinding adjustment knob (A6) one click anticlockwise (see “Adjusting the coffee mill”).

NOTE 3: Tips for a hotter coffee:

- When you turn the appliance on, if you want to make a short coffee (less than 60 cc), rinse the cups with hot water to preheat the cups. If more than 2/3 minutes have passed since the last coffee made, before requesting another coffee, you must preheat the infuser Deliver the water into the underlying drip tray or alternatively use this water to fill (and then empty) the cup to be used for the coffee, so as to preheat it.
- Unless preheated, do not use excessively thick cups as they will absorb too much heat.
- Preheat the cups by rinsing them with hot water.

NOTE 4: When the appliance displays “fill water”, fill the tank with water or the appliance will not deliver coffee.

(It is normal for there to be a little water left in the tank when the message is displayed).

NOTE 5: After about 15 times coffees. The appliance displays 'EMPTY GROUND ', indicating that the ground container is full and must be emptied and cleaned. Until the ground container has been cleaned. the appliance continues to display the message and coffee cannot be

made.

To clean, extract the drip tray (A9), empty and clean.

When cleaning, always extract the drip tray completely to avoid it falling when the ground container is removed.

Empty the ground container and clean thoroughly to remove all residues left on the bottom.

NOTE 6: when The appliance displays '**empty tray** ', indicating that drip tray has full of waste water, that mean you must extract the drip tray and pull all water and clean it and come back to original position then this machine go back for “ready” state.

⚠ Important! when removing the drip tray, the ground container must be emptied, even if it is not completely full. If this is not done, when you make the next coffee, the ground container may fill up more than expected and clog the machine.

NOTE 8: Never extract the water tank while the machine is delivering coffee

If it is removed, it will not be possible to make the coffee and the appliance will display “fill water ”. put the water tank in original position, the interrupt program will go on to finish.

ADJUSTING THE COFFEE MILL

The coffee mill is preset in the factory to make coffee correctly and should not require adjusting initially.

However, if after making the first few coffees you find that delivery is either too fast or too slow (a drop at a time), this can be corrected by adjusting the grinding adjustment knob(A6).

⚠ Important! The grinding adjustment knob(A6) must only be turned when the coffee mill is in operation. For slower delivery and creamier coffee, turn one click anticlockwise (finer, pre-ground coffee).For faster delivery (not a drop at a time), turn one click

clockwise (coarser pre-ground coffee).

(Coffee has been used to factory test the appliance and it is therefore completely normal for there to be traces of coffee in the mill.

MAKING ESPRESSO WITH PRE-GROUND COFFEE (INSTEAD OF BEANS)

1:if appliance displays 'READY'. Press B8 button then machine display “use powder”, That mean user must to extract this machine , then again Press B8 button machine display “fill powder”, Open the coffee powder cap , Use a spoon to fill coffee powder, next to select cappuccino latte espresso coffee...

Such as select “espresso” key , Press B8 button the machine will automatic to make “espresso”.....

2:You can also adjust output coffee volume ----see page 14 .Same operation .

3:You can also change these set: temperature ----see page 14,Same operation .

4:You can also use coffee powder to make cappuccino latte coffee, The different operation is to select how function ----see no 1 write...

- NOTE 1:Never introduce pre-ground coffee when the machine is off or before pressing the button . to avoid the coffee spreading through the inside of the appliance.

NOTE 2: Never add more than 1level measure, otherwise the appliance will not make the coffee and the pre-ground coffee will be dispersed inside the appliance, dirtying it. or the coffee will be delivered a drop at a time.

NOTE 3: Use the measure provided to add the right amount of coffee---use spoon.